

1952

- CUSTOM
- MASTER DE LUXE
- SPECIAL DE LUXE

# PARTS BOOK



**S. J. MEEKS' SON**  
DISTRIBUTOR  
622 G St., N. W. Wash. 1, D. C.  
Tel. NATIONAL 2198

WAYNE WORKS, INC. • RICHMOND, IND., U. S. A.

**NUMBERING SYSTEM** — Parts listings are arranged for easy selection, in various letter groups to indicate the position of the parts in the body. These letter groups are listed in alphabetical order and each part number carries a letter symbol to correspond with the section in which it is used. The location of the parts as indicated by the letter symbol is as follows:

- "A"—all floor parts.
- "B"—all body parts (from the top of the windshield down).
- "C"—left front section parts (immediately to the left of the driver's seat).
- "D"—rear end parts (from the roof line down).
- "E"—all roof and electrical parts.
- "F"—both right and left side body parts.
- "G"—wheelhouse parts.
- "H"—entrance door parts.
- "J"—seats.
- "K"—exterior miscellaneous parts.
- "M"—interior miscellaneous parts.

**SERIAL NUMBERS** — Each and every Wayne body has a serial number assigned to it, and under this serial number complete records are kept as to the style of body, model, type, seating and all accessories included in the body at the time of delivery. Thus, it is very essential that the serial number of the body be included with each parts order. In this manner, then, any changes that might have occurred in production, during the delivery season, will be taken into consideration and necessary substitutions made to assure the customer's entire satisfaction. Many times changes are necessary in production, due to non-availability or scarcity of certain materials and when these occur they are recorded by body serial numbers. For the most satisfactory service **BE SURE TO SEND THE SERIAL NUMBER OF THE BODY WITH EACH PARTS ORDER. In case of a major wreck, send photographs,** if possible, to assist our parts interpreters in making up the proper materials lists in assisting you with the parts order.

**SUBSTITUTIONS AND CHANGES** — The Wayne Works reserves the right to make substitutions and changes where ever advisable or necessary, in line with its progressive policy. In many cases these changes might be engineering changes for the improvement of the particular part or they may be changes brought about by existing conditions, scarcity or unavailability of materials. In cases of substitution the customer will be properly notified and the correct instructions given for the use of the substitution.

**DELIVERIES** — Deliveries of shipments are usually from stock on the third or fourth working day following the receipt of the order but, under present conditions, shipping of a parts order may be delayed. Scarcity and unavailability of materials as well as volume of business determines the speed with which orders are shipped out. On occasion, it is necessary to ship partial orders with the part shortages following as "Back Orders" as shortly thereafter as possible. Invoicing is done only on the parts shipped.

**SPECIAL PACKING** — When special packing is required for unusual transport requirements, such special packing will be done on the customer's instructions at additional charge as the cost of the parts, as mentioned before, includes only that packing which is necessary to assure safe delivery in the United States.

**METHODS OF SHIPPING** — Unless otherwise specifically ordered, all parts orders will be shipped the cheapest way. It should be kept in mind that the cheapest way is not always the quickest and that where speed is desired, adequate shipping instructions should be given. Packing, crating or boxing is at the option of the Wayne Works but the utmost care will be taken to see that parts and materials are properly protected in transit.

**METHODS OF PAYMENT** — As is customary in the automotive field, all parts orders are automatically sent out on a c.o.d. basis unless specific arrangements have been made to the contrary. This is no reflection on the integrity or financial standing of the customer, but simply a matter of policy and custom which is generally observed in all branches of the automotive manufacturing industry.

**ALL-STEEL SAFETY-BUILT COACHES**

EXCLUSIVELY BY

# Wayne

MODEL  SERIAL

**WAYNE WORKS • RICHMOND, INDIANA**

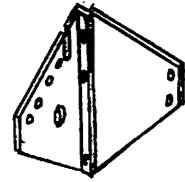
TRANSPORTATION EQUIPMENT SINCE 1868

M35687 WAYNE SERIAL PLATE

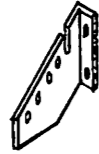
## INDEX

A—FLOOR	PAGE - 2 - 3 - 4 - 5 - 6
B—FRONT	PAGE - 7 - 8 - 9
C—LEFT FRONT SECTION	PAGE - 10 - 11 - 12
D—REAR—REAR DOOR	PAGE - 13 - 14
E—DECK—HDL'N'G—CARD PANELS—DRIP MOULDS—ELECT.	PAGE - 15 - 16 - 17 - 18
F—SIDES RIGHT-LEFT	PAGE - 19 - 20 - 21 - 22 - 23
G—WHEELHOUSE	PAGE - 24
H—DOOR—ENT. - EXIT	PAGE - 25 - 26
J—SEATS	PAGE - 27 - 28
K—EXTERIOR—EQUIPMENT	PAGE - 29 - 30
M—INTERIOR—EQUIPMENT	PAGE - 31 - 32
FASTENINGS	PAGE - 33 - 34

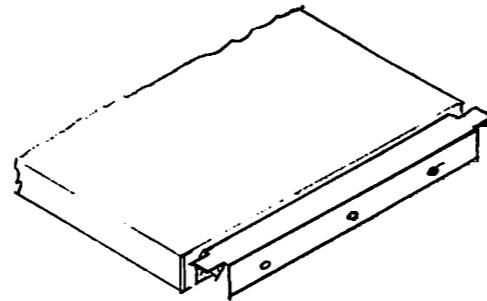
WAYNE  
PARTS CATALOGUE  
1952



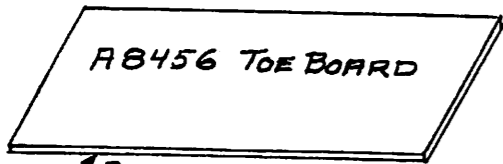
A2251 Post To Body Bar Bracket RT.  
 A2252 Post To Body Bar Bracket LT.  
 ALL SERIES



A37119 Post To Body Bar Bracket Rear Rt.  
 A37120 Post To Body Bar Bracket Rear Lt.  
 CUSTOM

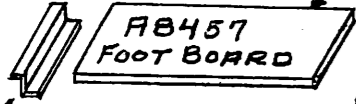


A2958A-27" DUST SEAL CHANNEL RT.  
 A2958A-36" DUST SEAL CHANNEL RT.  
 A2959A 27" DUST SEAL CHANNEL LT.  
 A2959A-36 DUST SEAL CHANNEL LT.  
 ALL SERIES



A8456 TOE BOARD

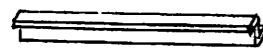
2 PLYWOOD



A8457 FOOT BOARD



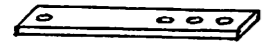
A2595 FOOT BOARD "Z" RT.



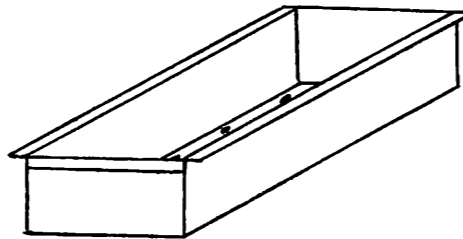
A2597 FOOT BOARD "Z" CENTER

A2296 FOOT BOARD "Z" LT.

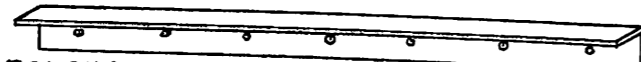
DS-DM



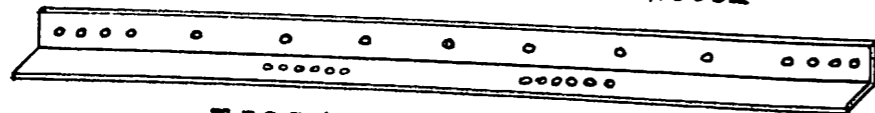
A3388 CHASSIS ANCHOR CLIP  
 ALL SERIES



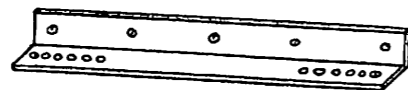
A3326A TOOL BOX ALL



A35946 BODY BAR REAR OF WHEELHOUSE



A5996 MAIN BODY BAR

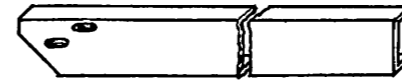


A8301 BODY BAR AT WHEELHOUSES  
 ALL SERIES

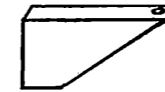


A4184 EXHAUST PIPE BRACKET  
 ALL SERIES

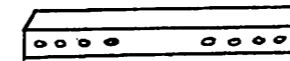
WAYNE  
 PARTS CATALOGUE  
 1952



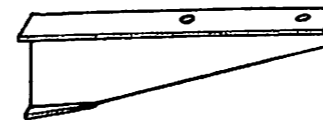
A8412-57" FRAME EXTENSION CHANNEL RT.  
 A8413-57" FRAME EXTENSION CHANNEL LT.  
 ALL SERIES



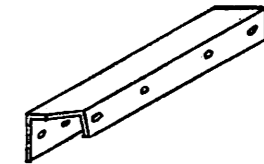
A10491 OUTRIGGER-CHASSIS TO FRONT FLOOR RT.  
 A10492 OUTRIGGER-CHASSIS TO FRONT FLOOR LT.



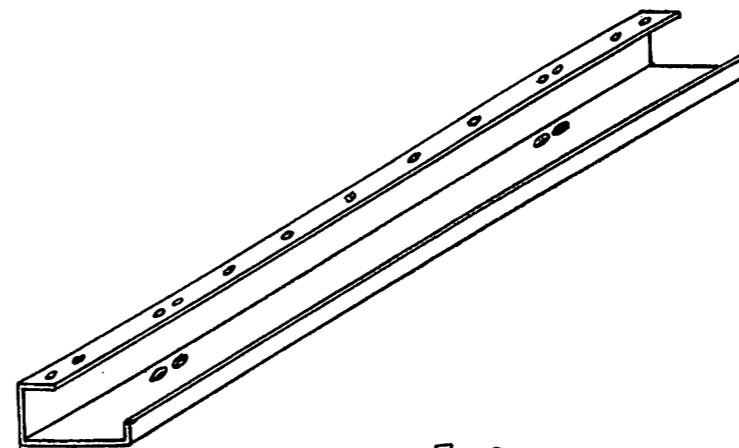
A10473 ANGLE-BODY BAR TO OUTRIGGER



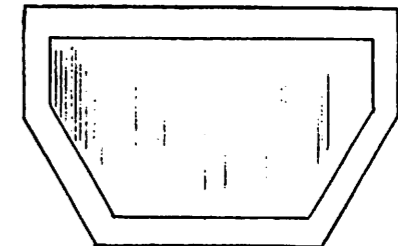
A10471 OUTRIGGER CHASSIS TO BODY BAR RT.  
 A10472 OUTRIGGER CHASSIS TO BODY BAR LT.  
 ALL SERIES



A35008 STEP SKIRT SUPPORT ALL

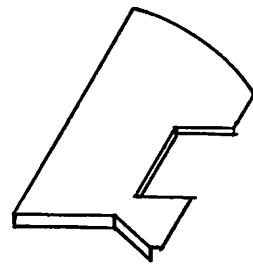
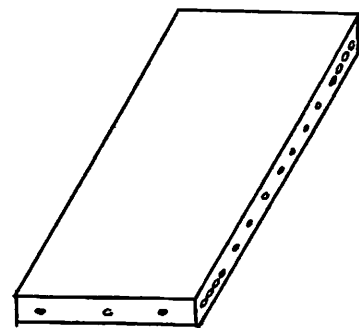
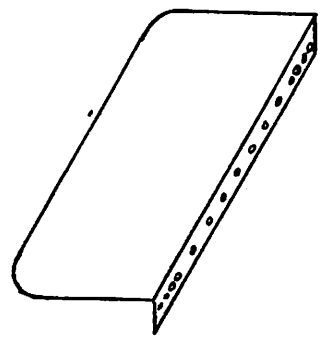


A35076 REAR BODY BAR  
 ALL SERIES



A5078 FLOOR MAT DS-DM

WAYNE  
 PARTS CATALOGUE  
 1952



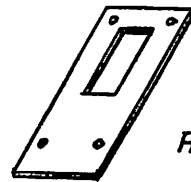
A35001A FRONT FLOOR PANEL - ALL

A35141A 27" MAIN FLOOR PANEL - ALL SERIES

A35150A 36" MAIN FLOOR PANEL - ALL SERIES

A4844A REAR FLOOR PANEL DS-DM.

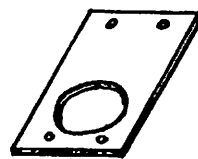
A35074A REAR FLOOR PANEL CUST.



A6935 EMERGENCY BRAKE PAD

A6933 EMERGENCY BRAKE PAD RETAINER

ALL SERIES



A6936 GEAR SHIFT PAD



A6934 GEAR SHIFT PAD RETAINER

ALL SERIES



A7714 MOUNTING PAD - ALL

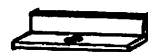


A10486 MOUNTING PAD FASTENER

ALL SERIES



A5999 MOUNTING CLIP - ALL



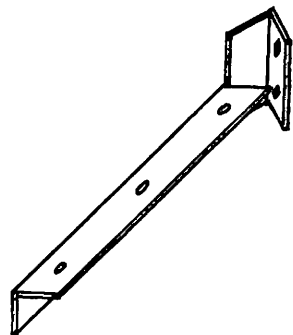
A6487 INTERMEDIATE MOUNTING CLIP

ALL SERIES



A10440 DOUBLE CORD SEAL WELT

ALL SERIES



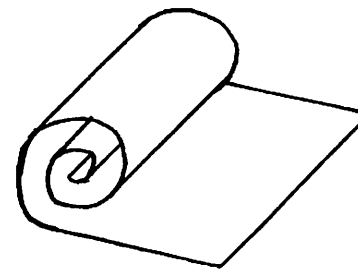
A36609 REAR FLOOR REINFORCING ANGLE RT DS-DM

A36610 REAR FLOOR REINFORCING ANGLE LT DS-DM

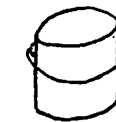
A37195 REAR FLOOR REINFORCING ANGLE RT C-CX

A37196 REAR FLOOR REINFORCING ANGLE LT C-CX

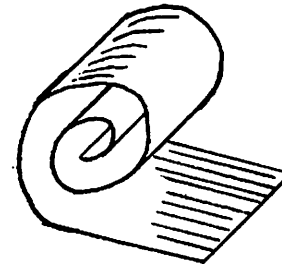
WAYNE  
PARTS CATALOGUE  
1952



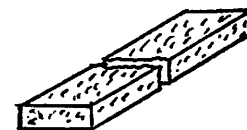
A8696-35 RED MASTIPAVE (FLOOR COVERING) ALL



A36304 FLOOR COVERING CEMENT ALL SERIES



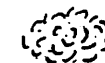
A8698-20" GREEN RIBBED AUTOMAT (AISLE RUNNER) ALL SERIES



A8617-10" COTTON BATTING (SCRAP)

A8951-44" COTTON BATTING (SCRAP)

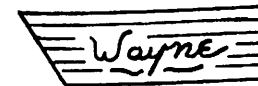
ALL SERIES



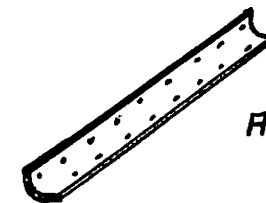
A9786 DUST SEAL FIBER ALL SERIES



A9787 JOINT SEALER  
A26847 WITCO INSULATION

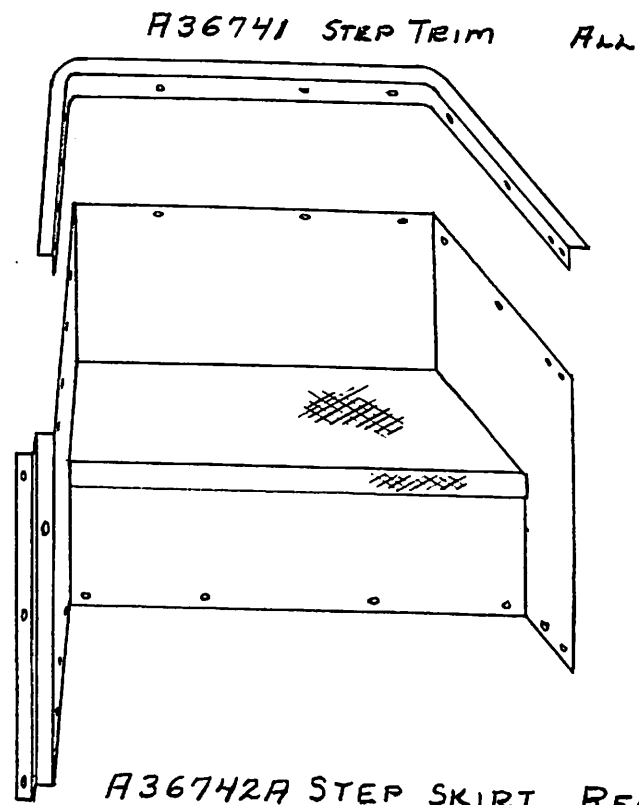


A36704 WAYNE NAME FLOOR TREAD - DM-C

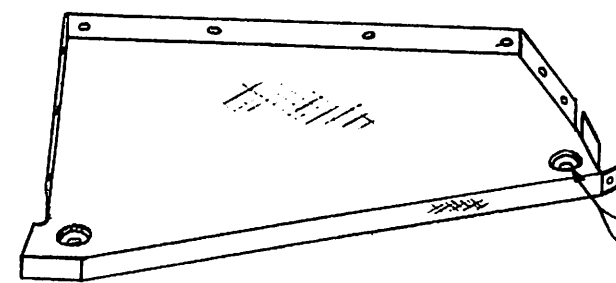


A8438 COVE MOLDING - DM

WAYNE  
PARTS CATALOGUE  
1952

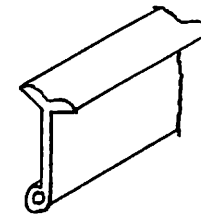


ALL AS REQD.



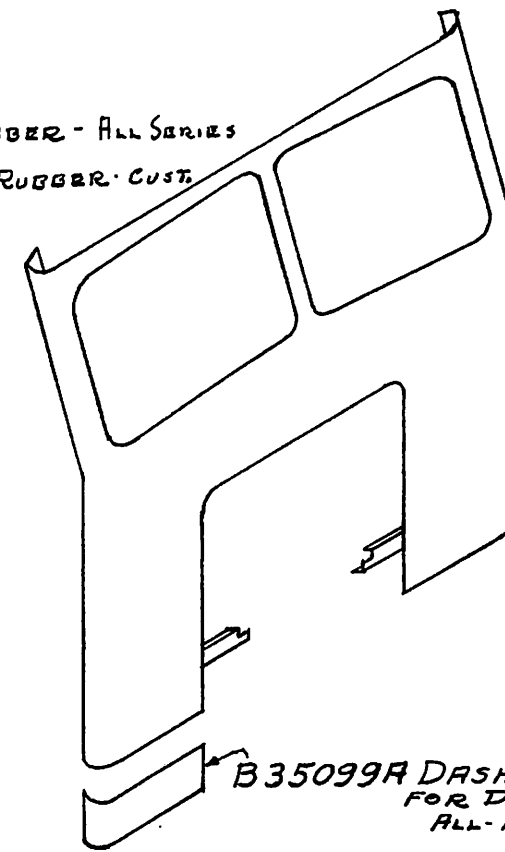
H26747 BALL BEARING C  
H26829 SOLID BEARING DS-DM

WAYNE  
PARTS CATALOGUE  
1952



B36566-128" COWL RUBBER - ALL SERIES  
B36566-112" BUMPER RUBBER - CUST.

B8490-100" DASH CUT  
TRIM MOLD  
ALL SERIES

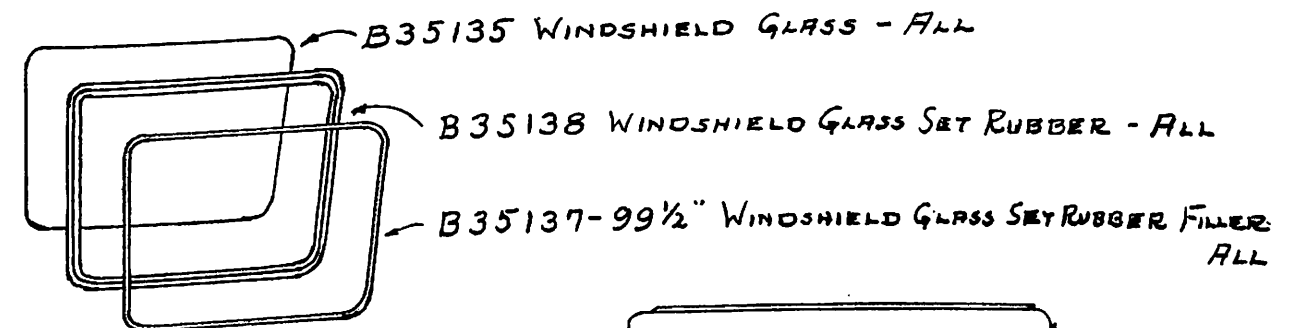


B36083AX DESTINATION SIGN  
DOOR ASSEMBLY

B5344 FRONT DEST. SIGN - CX  
BOTTOM ANGLE

B5345 FRONT DEST. SIGN - CX  
UPPER ANGLE

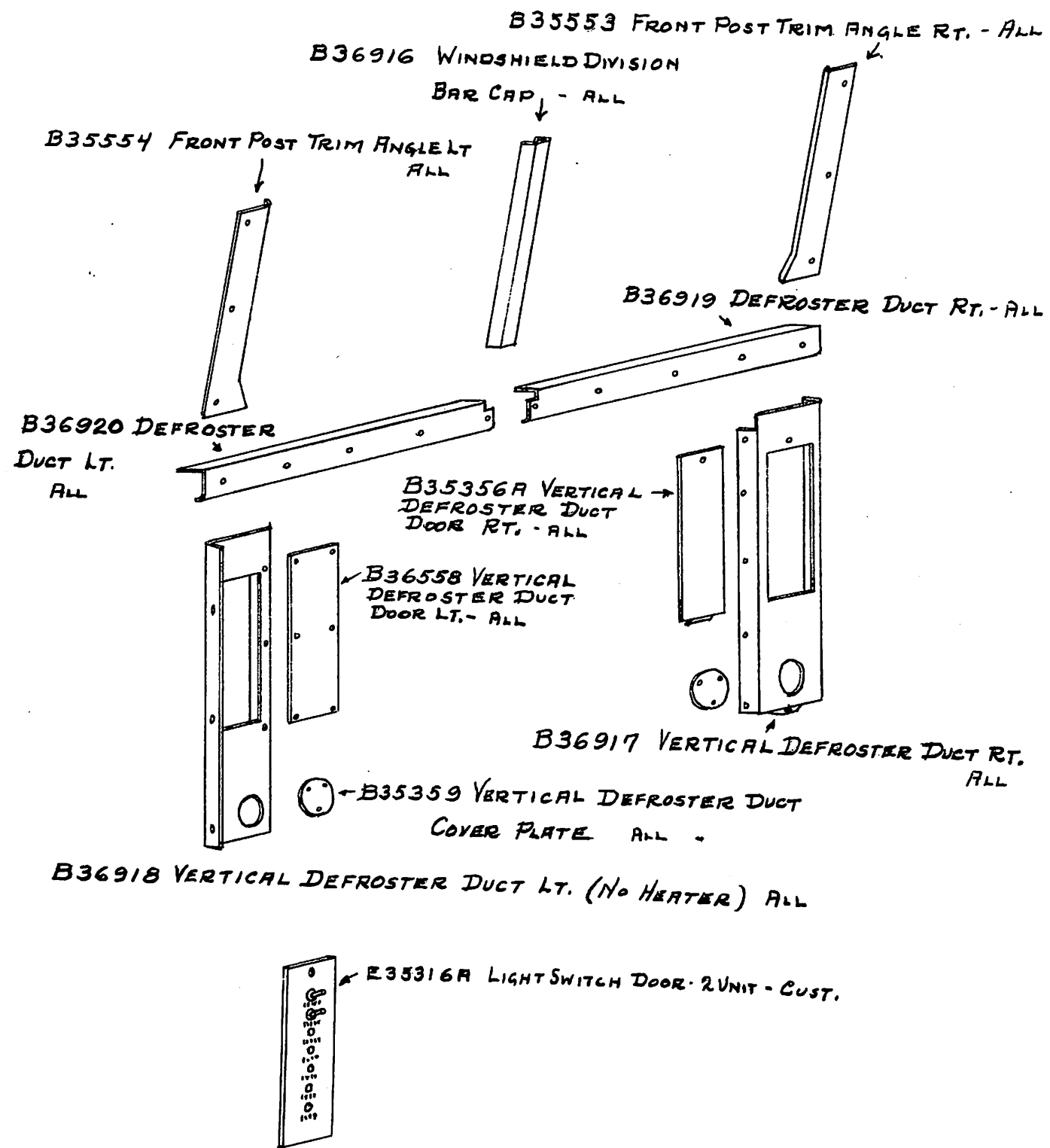
B36828A FRONT FRAME ASSEMBLY - ALL



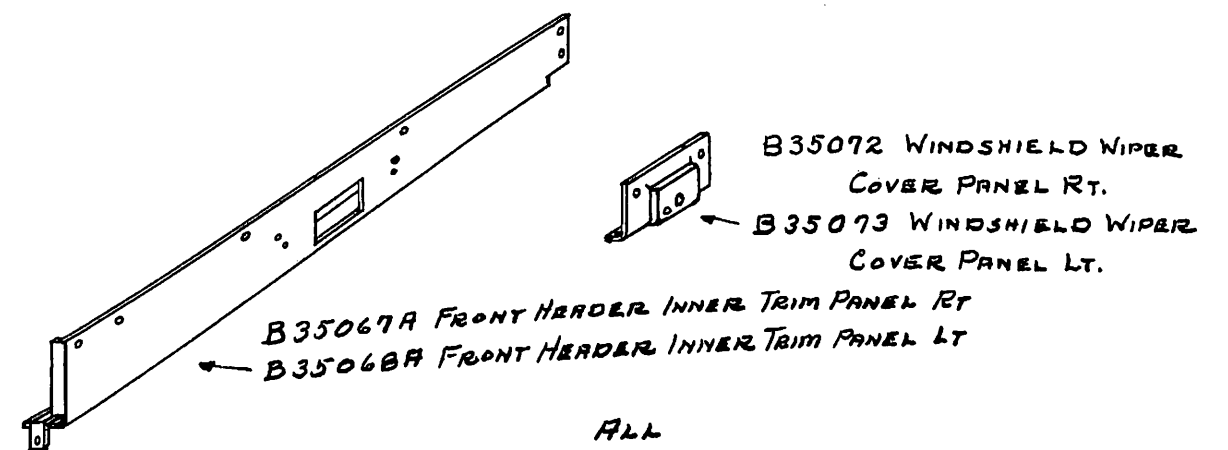
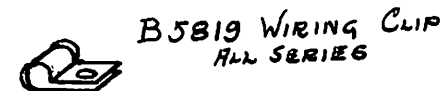
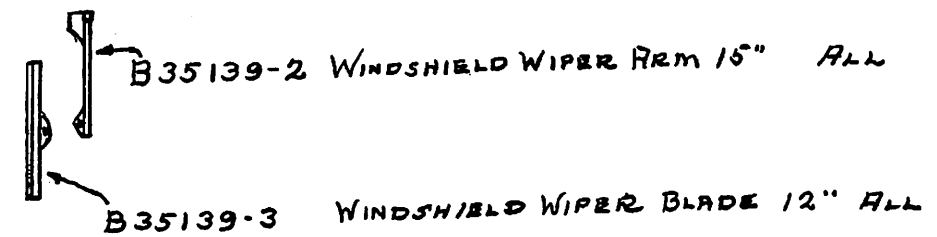
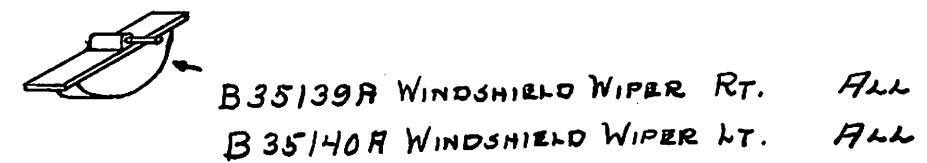
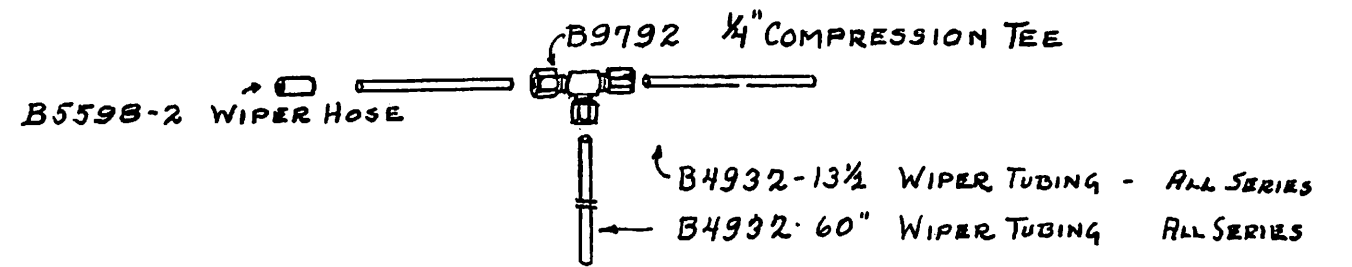
B5408 WINDSHIELD  
WIPER TUBE GROMMET THRU DASH  
ALL SERIES

B36239 DESTINATION SIGN OPENING FILLER CX  
D6887 DESTINATION SIGN GLASS SET RUBBER CX

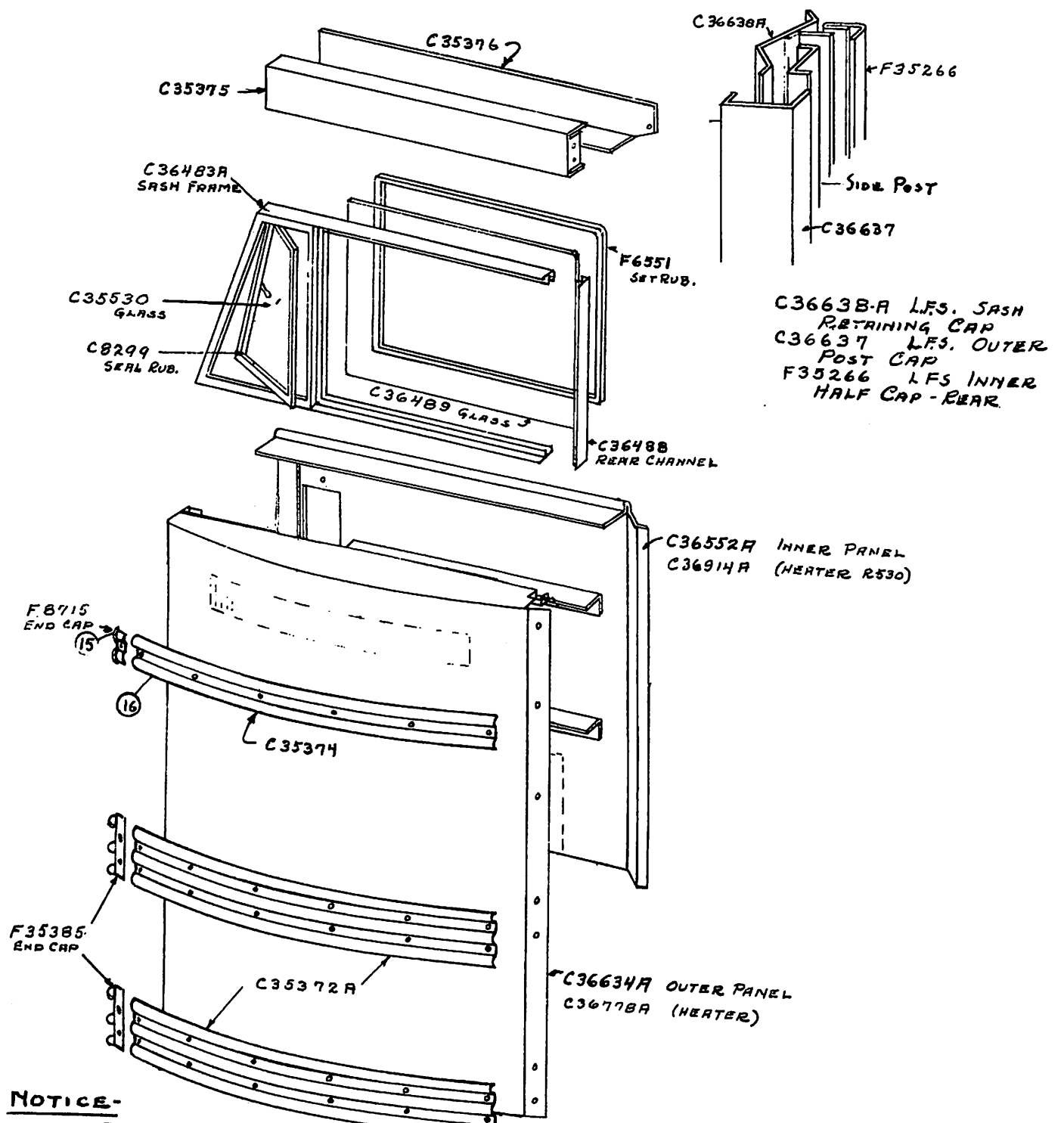
WAYNE  
PARTS CATALOGUE  
1952



WAYNE  
PARTS CATALOGUE  
1952



WAYNE  
PARTS CATALOGUE  
1952



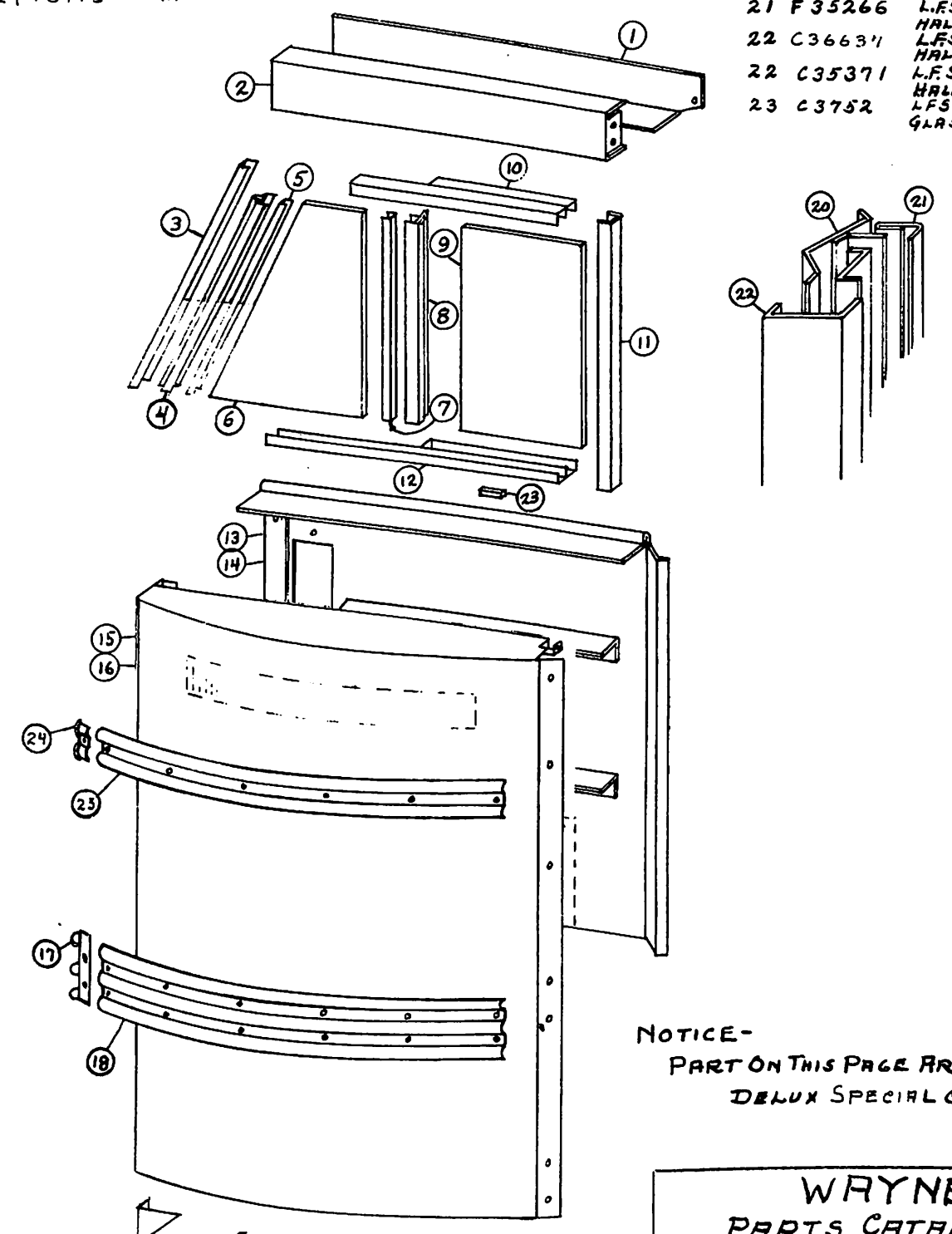
C36638A L.F.S. SASH  
RETAINING CAP  
C36637 L.F.S. OUTER  
POST CAP  
F35266 L.F.S. INNER  
HALF CAP - REAR

NOTICE-  
PART ON THIS PAGE ARE FOR DELUX MASTER - ONLY  
LETTERS L.F.S. = LEFT FRONT SECTION

WAYNE  
PARTS CATALOGUE  
1952

- 1 C35376 L.F.S. INNER TRANSOM PANEL
- 2 C35375 L.F.S. OUTER TRANSOM PANEL
- 3 C35537 L.F.S. SASH FRONT CHANNEL
- 4 C35538 L.F.S. SLIDING GLASS FRONT CHANNEL
- 5 C8299-20 7/8 L.F.S. SLIDING GLASS SEAL RUBBER FRONT
- 6 C36706 L.F.S. GLASS-SLIDING
- 7 C8299-19 3/8 L.F.S. SLIDING GLASS SEAL RUBBER REAR
- 8 C35539 L.F.S. SLIDING GLASS REAR CHANNEL
- 9 C35540 L.F.S. GLASS - STATIONARY
- 10 C35534 L.F.S. SASH UPPER CHANNEL
- 11 C35536 L.F.S. SASH REAR CHANNEL
- 12 C35535 L.F.S. SASH LOWER CHANNEL
- 13 C36552A L.F.S. INNER PANEL
- 14 C36914A L.F.S. INNER PANEL (HEATER R530)
- 15 C36634A L.F.S. OUTER PANEL
- 16 C36778A L.F.S. OUTER PANEL - WITH LOUVER
- 17 F35385 L.F.S. GUARD RAIL END CAP (3-BAR)
- 18 C35372A L.F.S. GUARD RAIL
- 19 C35380 L.F.S. SKIRT PANEL
- 25 C35374 L.F.S. GUARD RAIL - 2 BAR
- 24 F8715 L.F.S. GUARD RAIL - 2 BAR END FILLER

- 20 C36638A L.F.S. SASH  
RETAINING CAP
- 21 F35266 L.F.S. INNER  
HALF CAP REAR
- 22 C36637 L.F.S. OUTER  
HALF CAP
- 22 C35371 L.F.S. OUTER  
HALF CAP 77"
- 23 C3752 L.F.S. SLIDING  
GLASS STOP



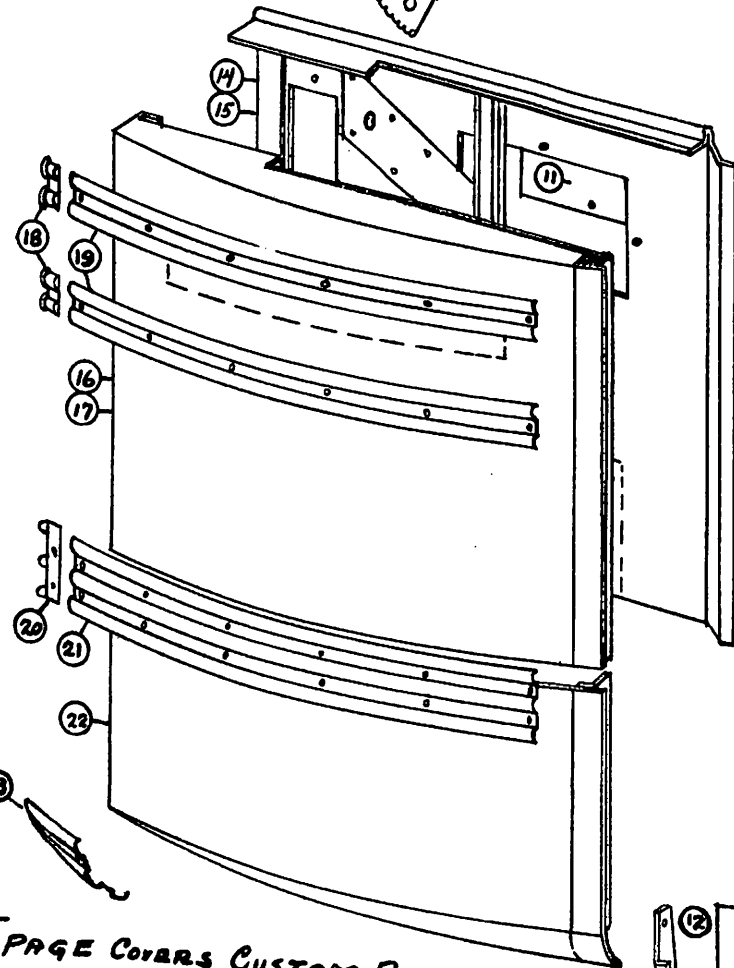
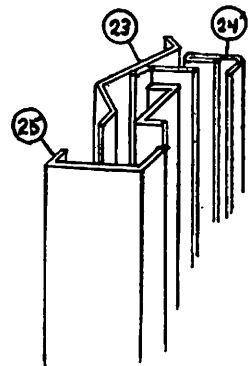
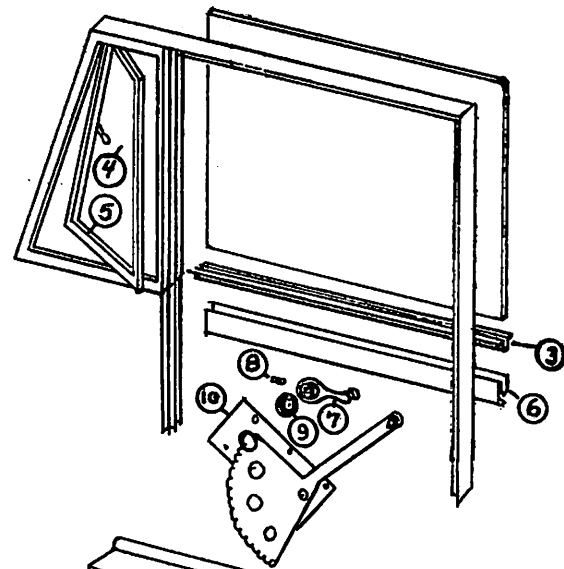
LETTERS L.F.S. = LEFT FRONT SECTION

NOTICE-  
PART ON THIS PAGE ARE FOR  
DELUX SPECIAL ONLY

WAYNE  
PARTS CATALOGUE  
1952

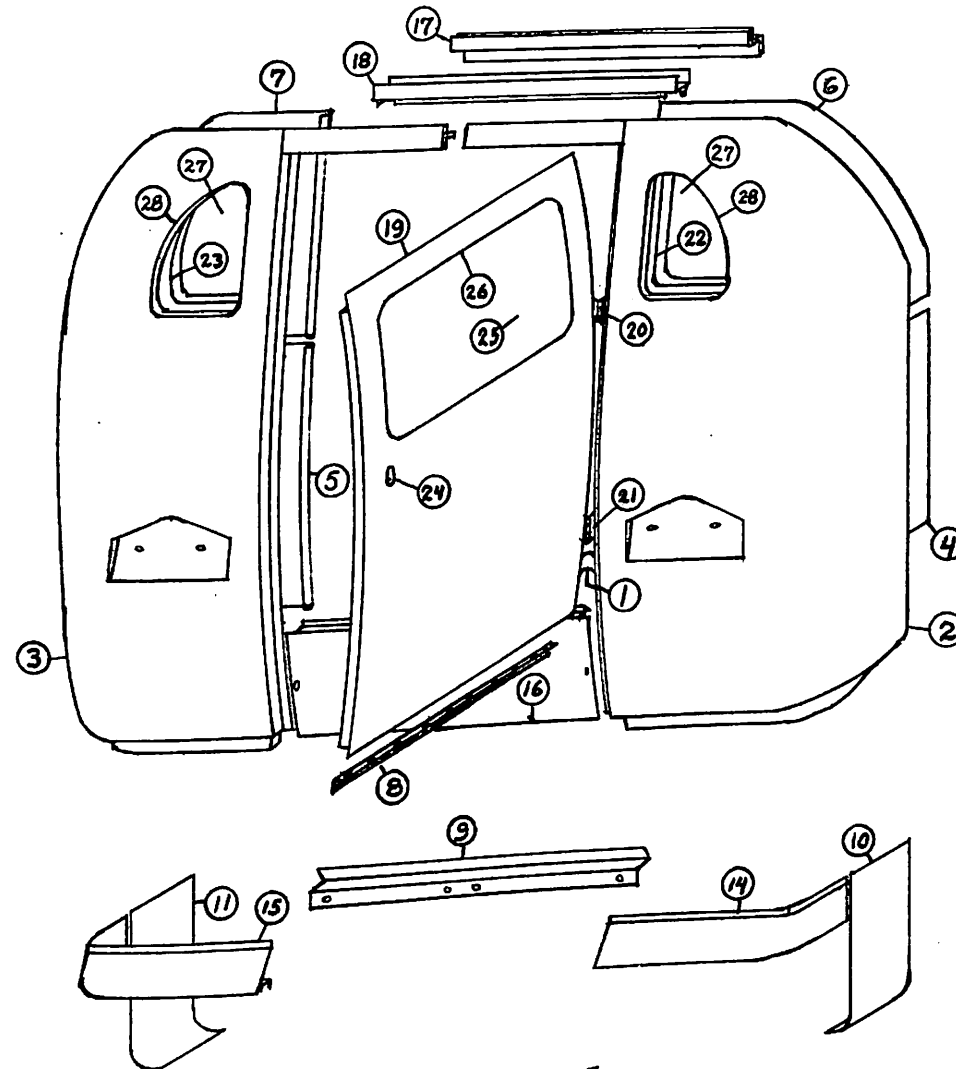
- 1 C36782A L.F.S. SASH ASSEMBLY
- 2 C36788 L.F.S. GLASS - REGULATING
- 3 F3367-19" L.F.S. GLASS BOTTOM SEAL RUBBER
- 4 C35530 L.F.S. VENT. GLASS
- 5 H8299-51/8 L.F.S. VENT. GLASS SET RUBBER
- 6 C11737-18 1/2 L.F.S. REGULATING GLASS BOTTOM CHANNEL
- 7 C11735A L.F.S. REGULATOR HANDLE
- 8 C11736 L.F.S. REGULATOR HANDLE PIN
- 9 C11737 L.F.S. REGULATOR HANDLE ESCUTCHEON
- 10 C11733A L.F.S. REGULATOR
- 11 C8221 L.F.S. REGULATOR OPENING COVER PLATE
- 12 C36863 L.F.S. LOWER GUARD RAIL BRACKET
- 13 C36859 L.F.S. LOWER GUARD RAIL
- 14 C36674A L.F.S. INNER PANEL
- 15 C36766A L.F.S. INNER PANEL (CUT FOR HEATER)
- 16 C36672A L.F.S. OUTER PANEL
- 17 C36780A L.F.S. OUTER PANEL - (LOUVER)
- 18 FB715 L.F.S. 2-BAR GUARD RAIL, END FILLER
- 19 C35374 L.F.S. 2-BAR GUARD RAIL
- 20 F35385 L.F.S. 3-BAR GUARD RAIL, END FILLER
- 21 C35372A L.F.S. 3-BAR GUARD RAIL
- 22 C36862A L.F.S. SKIRT PANEL

- 23 C35365A L.F.S. SASH RET. CAP
- 24 F35264 L.F.S. INNER HALF CAP
- 25 C36732A L.F.S. OUTER HALF CAP
- 25 C37044AX L.F.S. OUTER HALF CAP 77"



NOTICE - THIS PAGE COVERS CUSTOM PARTS ONLY

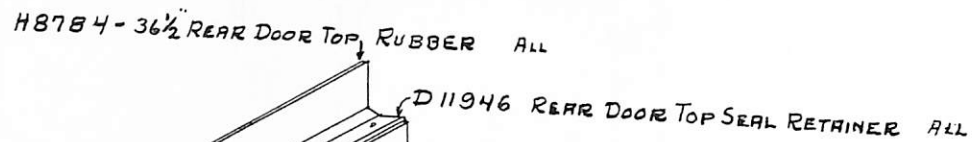
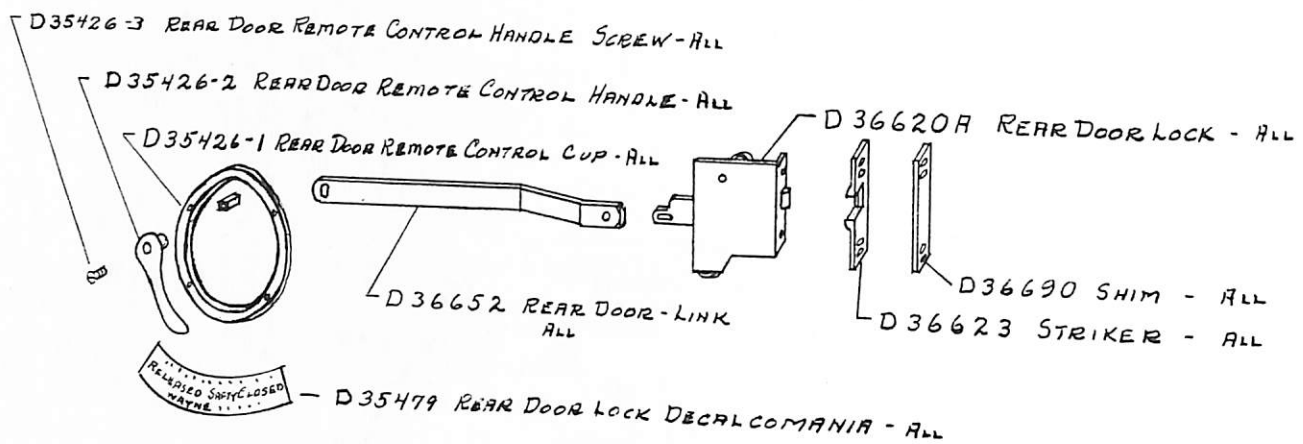
WAYNE  
PARTS CATALOGUE  
1952



- 1 D3546 REAR DOOR CHECK STRAP ALL
- 2 D35178A REAR OUTER CORNER RT. DS-DM
- 3 D36678A REAR OUTER CORNER RT. C
- 4 D36686A REAR OUTER CORNER LT. DS-DM
- 5 D36679A REAR OUTER CORNER LT. DS-DM
- 6 D36701 REAR INNER CORNER, LOWER RT. C
- 7 D35337 REAR INNER CORNER, LOWER RT. DS-DM
- 8 D36702 REAR INNER CORNER, LOWER LT. C
- 9 D35338 REAR INNER CORNER, LOWER LT. ALL
- 10 D35334A REAR INNER CORNER, UPPER RT. ALL
- 11 D35335A REAR INNER CORNER, UPPER LT. DS-DM
- 12 D36853 REAR DOOR BOTTOM SEAL ANGLE C
- 13 D35800 REAR SKIRT CLAMP C
- 14 D36765A REAR SIDE SKIRT RT. C
- 15 D36768A REAR SIDE SKIRT LT. C
- 16 D36758A REAR CORNER SKIRT RT. C
- 17 D36759A REAR CORNER SKIRT LT. DS-DM
- 18 D36703 REAR CENTER SKIRT C
- 19 D36770 REAR CENTER SKIRT C
- 20 E4989 REAR ROOF RIB SPLICE ALL
- 21 D35436A REAR DOOR HEADER ALL
- 22 D36642A REAR DOOR UPPER HINGE ALL
- 23 D35417A REAR DOOR LOWER HINGE ALL
- 24 D35461 REAR WINDOW TRIM BAND RT. ALL
- 25 D35462 REAR WINDOW TRIM BAND LT. ALL
- 26 D6540 REAR DOOR LOCK ESCUTCHEON ALL
- 27 D5233 REAR DOOR GLASS ALL
- 28 D6887 REAR DOOR GLASS SET RUBBER ALL
- 28 D5077 REAR CORNER GLASS ALL
- 28 D6890 REAR CORNER GLASS SET RUBBER ALL

WAYNE  
PARTS CATALOGUE  
1952





EMERGENCY DOOR

D8709 EMERGENCY DOOR DECALCOMANIA - ALL

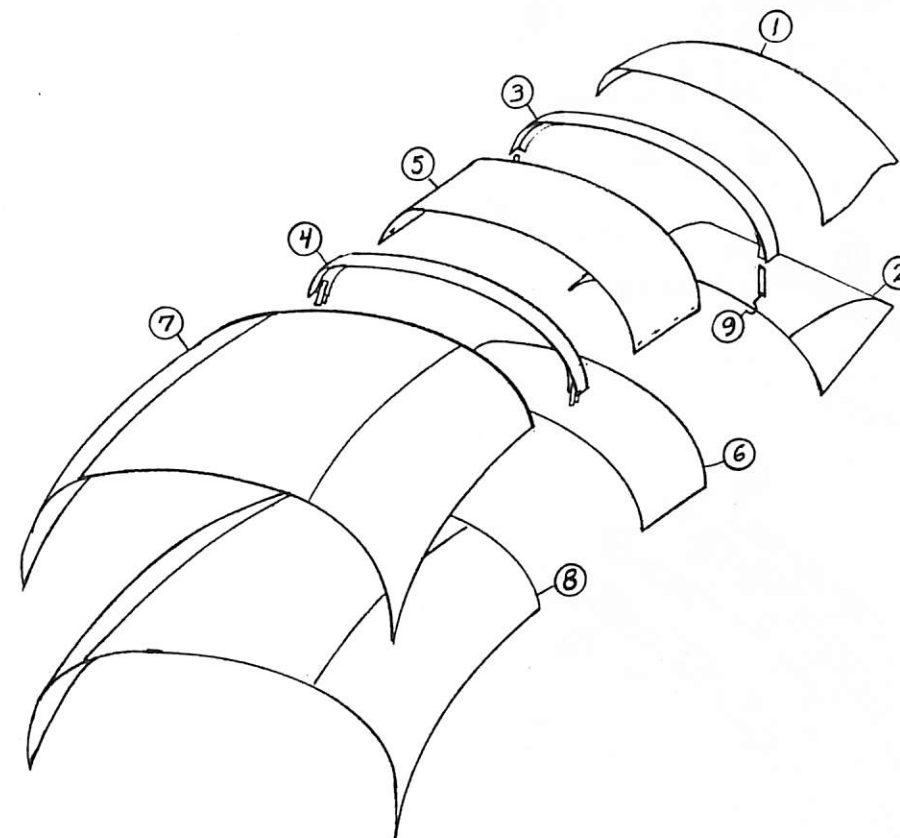
D36653 BOTTOM SEAL ANGLE - DS-DM

D6646 REAR DOOR KEY ALL

D7048 REAR CORNER WOOD SPACER - ALL

D6325 SHOULDER SCREW 1/4"-28 - ALL

D28387-53 3/8" REAR DOOR OPENING SEAL RUBBER - C  
 D28387-54 5/8" REAR DOOR OPENING SEAL RUBBER - DS-DM  
 D28387-36" REAR DOOR OPENING SEAL RUBBER - ALL



- |   |         |                                  |         |                |
|---|---------|----------------------------------|---------|----------------|
| 1 | E35147A | ROOF OUTER PANEL FRONT           | C       |                |
| 1 | B36407A | ROOF OUTER PANEL FRONT           | CX      |                |
| 1 | E36719A | ROOF OUTER PANEL FRONT           | DS-DM   |                |
| 2 | E5115A  | ROOF INNER PANEL FRONT           | DS-DM-C | E36113A - CX   |
| 3 | E35104  | ROOF RIB FRONT                   | ALL     |                |
| 4 | E35098A | ROOF RIB ASSEMBLY 27"            | ALL     |                |
| 5 | E8315   | ROOF OUTER PANEL 27"             | ALL     |                |
| 5 | E3275   | ROOF OUTER PANEL 36"             | ALL     |                |
| 6 | E8317   | ROOF INNER PANEL 27"             | ALL     |                |
| 6 | E6450   | ROOF INNER PANEL 27" (DOME LITE) | ALL     |                |
| 6 | E35257  | ROOF INNER PANEL 36" (DOME LITE) | ALL     |                |
| 6 | E35258  | ROOF INNER PANEL 36" (DOME LITE) | DS-DM   |                |
| 7 | E35482A | ROOF OUTER PANEL REAR            | C       | E4952 AX - CX  |
| 7 | E35504A | ROOF OUTER PANEL REAR            | DS-DM   |                |
| 8 | E35486A | ROOF INNER PANEL REAR            | C       | E36838 AX - CX |
| 8 | E36836A | ROOF INNER PANEL REAR            | ALL     |                |
| 9 | E3404   | ROOF RIB TO SIDE POST CLIP       |         |                |

E35657 ROOF INNER PANEL TO RIB INTERMEDIATE CLIP ALL

E3405 ROOF INNER PANEL TO RIB CLIP ALL

E3406 ROOF INNER PANEL TO RIB CLIP - END - CUST.

E10441 ROOF ANTISQUEAK FRONT RIB - ALL

E6442 TRIM MOLD COVER ALL  
 E6854 TRIM MOLD COVER END DM-C-CX  
 E6443 TRIM MOLD TRACK ALL

E35480 TRIM MOLD COVER (STAINLESS) C  
 E35481 TRIM MOLD TRACK C

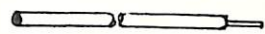
WAYNE  
 PARTS CATALOGUE  
 1952

WAYNE  
 PARTS CATALOGUE  
 1952

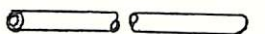




E3507 CAULKING COMPOUND ALL  
 E9789 RUBBER CEMENT ALL



E4237-1 WIRE - BLACK ALL  
 E4237-2 WIRE - WHITE ALL  
 E26459 WIRE #10 ALL



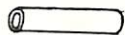
E4240 7/16" LOOM ALL  
 E4241 5/16" LOOM ALL  
 E4242 3/16" LOOM ALL



E6391 SPRING WIRE CLIP ALL



E8776 LITE BULB 3.C.P. - 6-B.V. ALL  
 E8778 LITE BULB 6.C.P. - 6-B.V. ALL



E10150 INSULATING SLEEVE ALL  
 E26458 INSULATING SLEEVE ALL



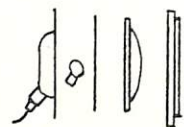
E10303 WIRING TERMINAL ALL  
 E26457 WIRING TERMINAL (LARGE) ALL



E10304 WIRING TERMINAL STRAIGHT ALL  
 E10993 WIRING TERMINAL STRAIGHT LARGE ALL



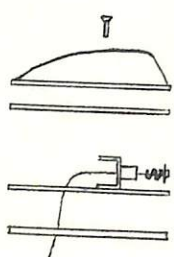
E6422A STOP AND TAIL LITE 6V. BLACK DS - AS REQD.  
 E6422A-1 STOP AND TAIL LITE 6V. CHROME DM - C-CX



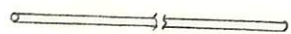
E4939-1 STEP LITE REFLECTOR ALL  
 E4939-2 STEP LITE RING ALL  
 E4939-3 STEP LITE LENS ALL  
 E4939-4 STEP LITE GASKET ALL



E5542 STEP LITE SWITCH ALL



E32053-1 MARKER LITE - SCREW ALL  
 E32053-4 MARKER LITE - LENS - RED ALL  
 E32053-5 MARKER LITE - LENS - GREEN ALL  
 E32053-6 MARKER LITE - LENS - GREEN SPECIAL  
 E32053-7 MARKER LITE - LENS - AMBER ALL  
 E32053-2 MARKER LITE - LENS - BLUE ALL  
 E32053-3 MARKER LITE - GASKET SPECIAL  
 E32053-8 MARKER LITE - BASE ALL  
 E32011 LITE TERMINAL WASHER ALL  
 E32012 LITE TERMINAL CONTACT ALL  
 E1012B-1 LITE TERMINAL CONTACT SPRING ALL

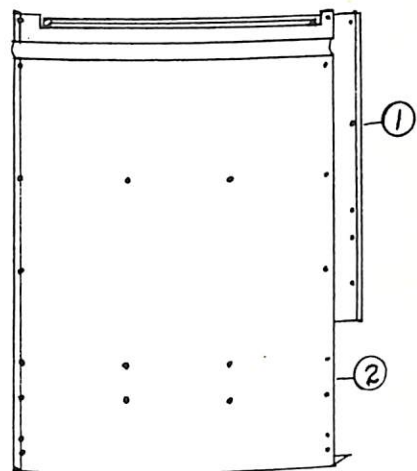


E9796 1/4" SPONGE RUBBER SEAL CORD



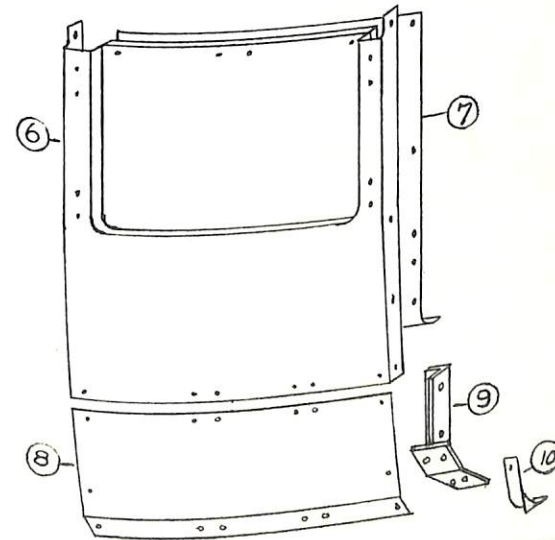
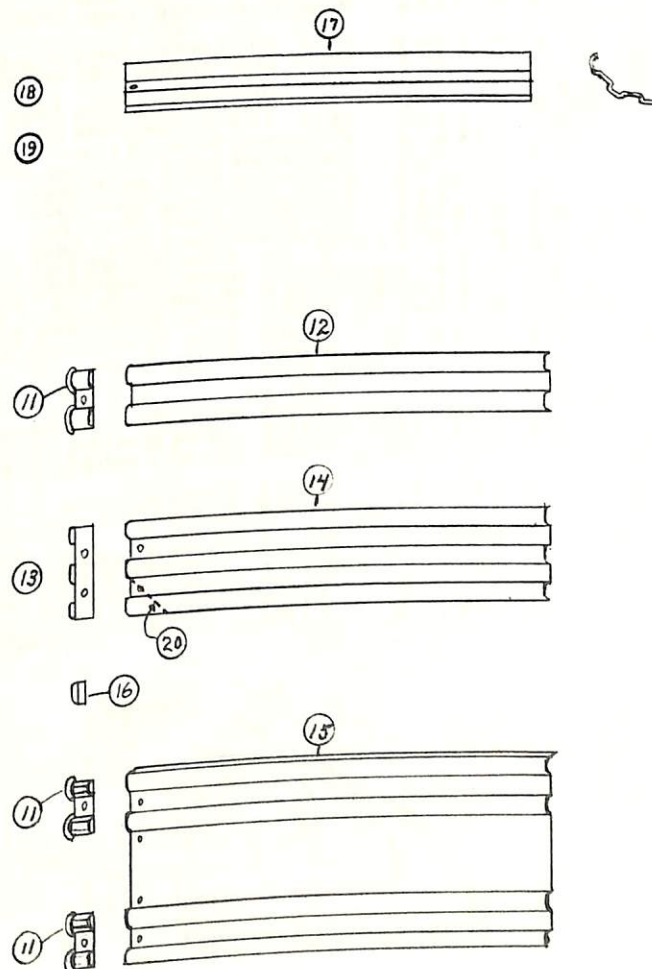
E9797 TEE TYPE WIRE GROMMET

WAYNE  
 PARTS CATALOGUE  
 1952



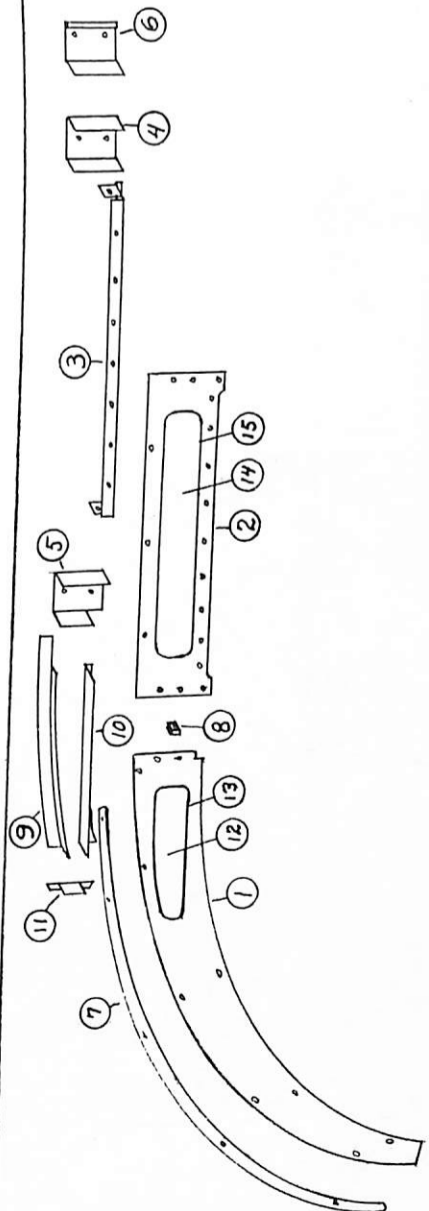
1 F36695 SIDE PANEL INNER 27" DS-DM  
 1 F36696 SIDE PANEL INNER 36" DS-DM  
 2 F36691 SIDE PANEL OUTER RT. 27" DS-DM  
 2 F36692 SIDE PANEL OUTER LT. 27" DS-DM  
 2 F36693 SIDE PANEL OUTER RT. 36" DS-DM  
 2 F36694 SIDE PANEL OUTER LT. 36" DS-DM

5 F36124 SIDE PANEL TO FLOOR BRACE DS  
 6 F35048-27" SIDE PANEL OUTER C-CX  
 6 F35048-36" SIDE PANEL OUTER C-CX  
 7 F35110 SIDE PANEL INNER 27" C-CX  
 7 F35111 SIDE PANEL INNER 36" C-CX  
 8 F36750 SIDE PANEL SKIRT 27" C-CX  
 8 F36751 SIDE PANEL SKIRT 36" C-CX  
 9 F36752A SKIRT TO POST BRACKET RT. C-CX  
 9 F36753A SKIRT TO POST BRACKET LT. C-CX  
 \* 10 F35312A INNER SIDE PANEL FILLER RT. C-CX  
 \* 10 F35313A INNER SIDE PANEL FILLER LT. C-CX  
 11 F8715 2-BAR GUARD RAIL END FILLER ALL  
 12 F8619 2-BAR GUARD RAIL ALL  
 13 F35385 3-BAR GUARD RAIL END FILLER ALL  
 14 F35267 3-BAR GUARD RAIL ALL  
 15 F35268 4-BAR GUARD RAIL ALL  
 16 F37103 GUARD RAIL END CAP AT WHEELHOUSE ALL  
 \* 9 F36761A SKIRT TO POST BRKT. AT ENT. STEP (NOTCHED) C-CX  
 17 F36772 3-BAR CURVED GUARD RAIL RT. C-CX  
 17 F36870 3-BAR CURVED GUARD RAIL LT. C-CX  
 \* 18 F36773 3-BAR CURVED GUARD RAIL END CAP C-CX  
 \* 18 F36858 3-BAR CURVED GUARD RAIL END CAP AT WHSE. C-CX  
 20 F36858 LOWER 3-BAR GUARD RAIL RT. DM  
 20 F37061A LOWER 3-BAR GUARD RAIL LT. DM  
 20 F37062A



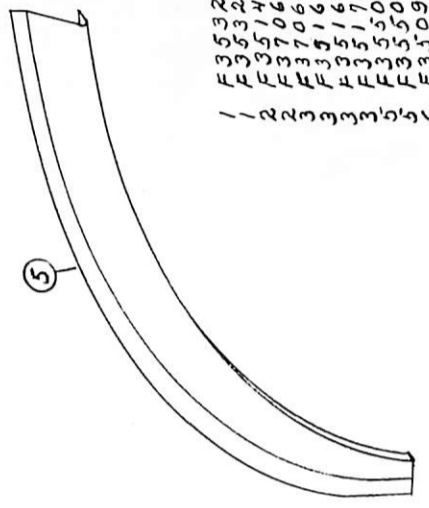
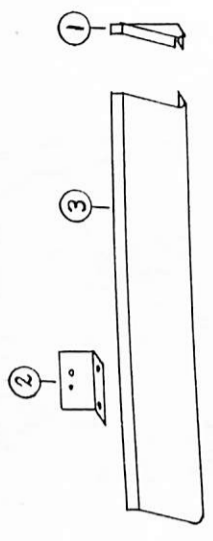
WAYNE  
 PARTS CATALOGUE  
 1952



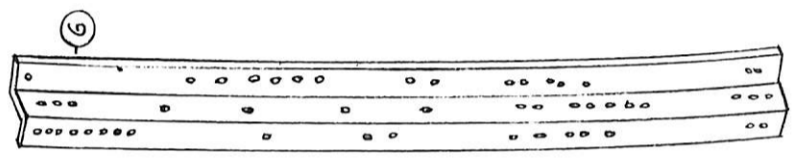


- |    |         |   |    |
|----|---------|---|----|
| 1  | F35991X | SIDE WINDOW TRANSOM - REAR              |    |
| 2  | F35993X | SIDE WINDOW TRANSOM RT. 27"             | CX |
| 3  | F35994X | SIDE WINDOW TRANSOM LT. 27"             | CX |
| 4  | F35995X | SIDE WINDOW TRANSOM RT. 36"             | CX |
| 5  | F35996X | SIDE WINDOW TRANSOM LT. 36"             | CX |
| 6  | F35997X | SIDE WINDOW TRANSOM HEADER RT. 27"      | CX |
| 7  | F35998X | SIDE WINDOW TRANSOM HEADER LT. 27"      | CX |
| 8  | F35999X | SIDE WINDOW TRANSOM HEADER RT. 36"      | CX |
| 9  | F36000X | SIDE WINDOW TRANSOM HEADER LT. 36"      | CX |
| 10 | F36001X | INNER POST CAP AT TRANSOM               | CX |
| 11 | F36002X | INNER HALF CAP AT TRANSOM RT. REAR      | CX |
| 12 | F36003X | INNER HALF CAP AT TRANSOM LT. REAR      | CX |
| 13 | F36004X | INNER HALF CAP AT TRANSOM FRONT         | CX |
| 14 | F36005X | SIDE REAR TRANSOM TRIM BAND             | CX |
| 15 | F36006X | SIDE REAR TRANSOM HEADER TO POST SPACER | CX |
| 16 | F36007X | SIDE REAR TRANSOM HEADER TRIM ANGLE RT. | CX |
| 17 | F36008X | SIDE REAR TRANSOM HEADER TRIM ANGLE LT. | CX |
| 18 | F36009X | SIDE REAR TRANSOM HEADER CAP RT.        | CX |
| 19 | F36010X | SIDE REAR TRANSOM HEADER CAP LT.        | CX |
| 20 | F36011X | SIDE REAR TRANSOM CAP                   | CX |
| 21 | F36012X | SIDE REAR TRANSOM GLASS SET RUBBER      | CX |
| 22 | F36013X | SIDE REAR TRANSOM GLASS 36"             | CX |
| 23 | F36014X | SIDE TRANSOM GLASS 27"                  | CX |
| 24 | F36015X | SIDE TRANSOM GLASS SET RUBBER 36"       | CX |
| 25 | F36016X | SIDE TRANSOM GLASS SET RUBBER 27"       | CX |

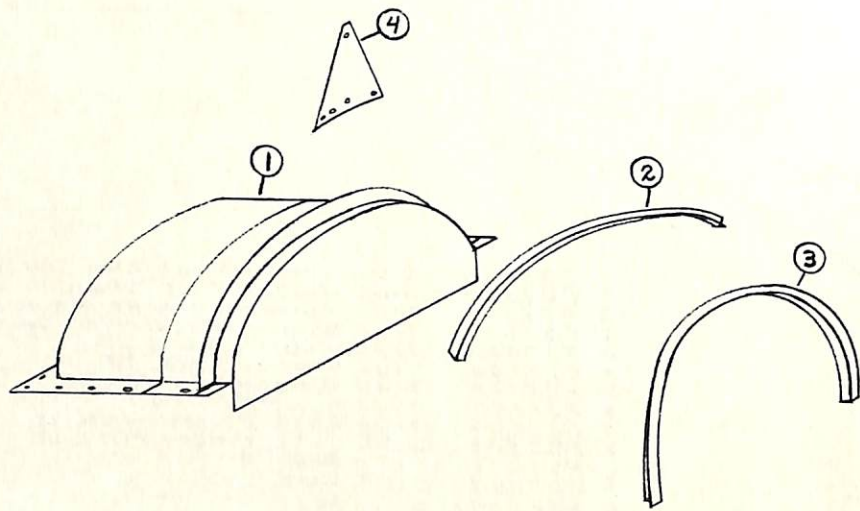
WAYNE  
PARTS CATALOGUE  
1952.



- |    |        |                                  |      |
|----|--------|----------------------------------|------|
| 1  | F35324 | SIDE WINDOW VISOR                |      |
| 2  | F35325 | SIDE WINDOW VISOR END CAP RT.    | DM-C |
| 3  | F35326 | SIDE WINDOW VISOR END CAP LT.    | DM-C |
| 4  | F35327 | SIDE WINDOW VISOR ATTACHING CLIP | DM   |
| 5  | F35328 | SIDE WINDOW VISOR 2 1/4"         | DM   |
| 6  | F35329 | SIDE WINDOW VISOR 2 7/8"         | DM-C |
| 7  | F35330 | SIDE WINDOW VISOR 3 1/4"         | DM-C |
| 8  | F35331 | SIDE WINDOW VISOR 3 1/2"         | DM-C |
| 9  | F35332 | SIDE WINDOW VISOR 3 3/4"         | DM-C |
| 10 | F35333 | SIDE WINDOW VISOR 3 1/2" RT.     | DM-C |
| 11 | F35334 | SIDE WINDOW VISOR 3 1/2" LT.     | DM-C |
| 12 | F35335 | SIDE REAR WINDOW VISOR RT.       | DM-C |
| 13 | F35336 | SIDE REAR WINDOW VISOR LT.       | DM-C |
| 14 | F35337 | SIDE REAR WINDOW VISOR RT. 77"   | DM-C |
| 15 | F35338 | SIDE REAR WINDOW VISOR LT. 77"   | DM-C |
| 16 | F35339 | SIDE POST RT.                    | DM-C |
| 17 | F35340 | SIDE POST LT.                    | DM-C |
| 18 | F35341 | SIDE POST RT. 77"                | DM-C |
| 19 | F35342 | SIDE POST LT. 77"                | DM-C |
| 20 | F35343 | SIDE POST RT. 77"                | DM-C |
| 21 | F35344 | SIDE POST LT. 77"                | DM-C |
| 22 | F35345 | SIDE POST RT. 77"                | DM-C |
| 23 | F35346 | SIDE POST LT. 77"                | DM-C |
| 24 | F35347 | SIDE POST RT. 77"                | DM-C |
| 25 | F35348 | SIDE POST LT. 77"                | DM-C |



WAYNE  
PARTS CATALOGUE  
1952

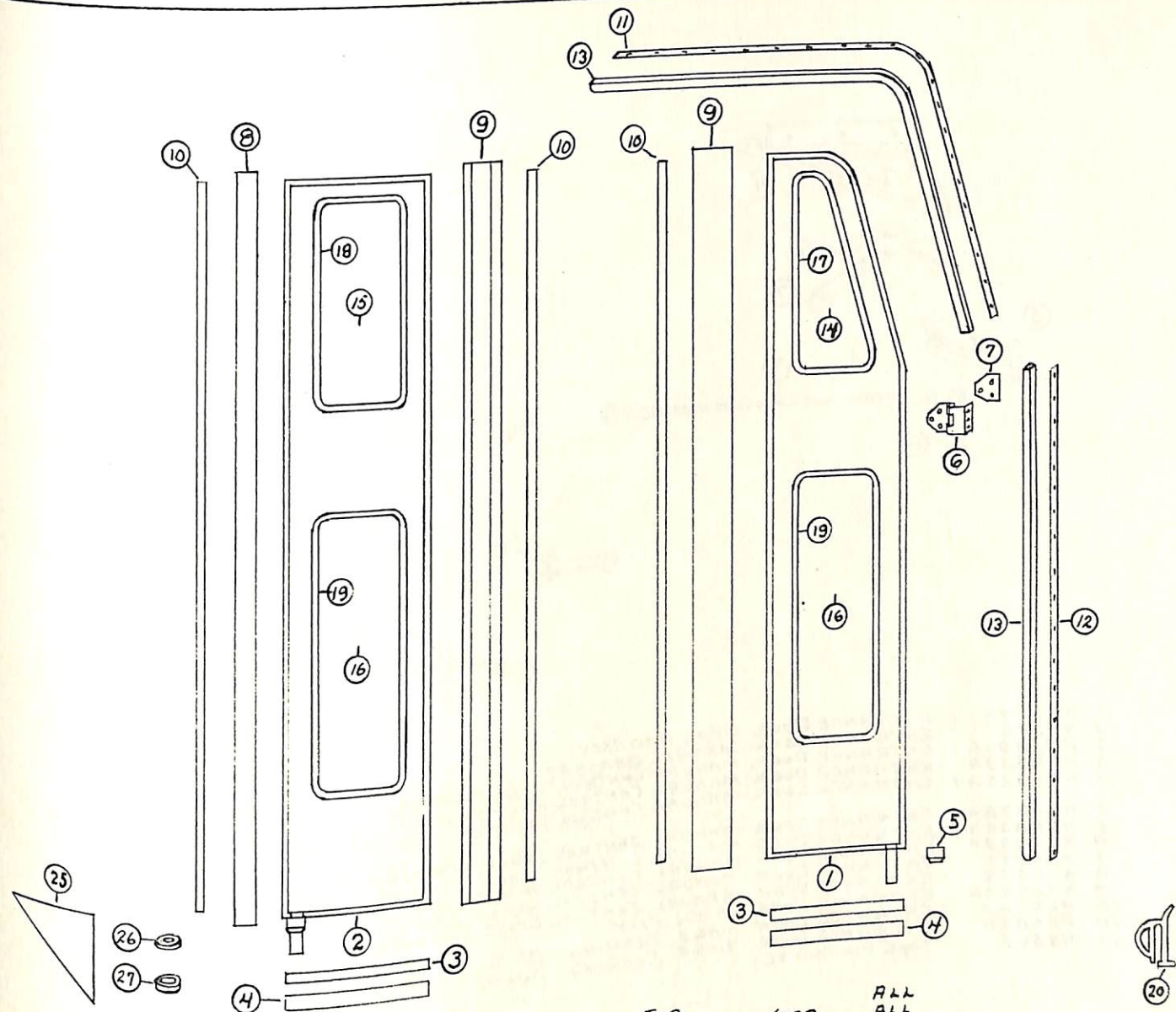


1-  
2-  
3-  
4-  
5-  
6-  
7-

WHEELHOUSE - SEMI-OUTSIDE TYPE  
 WHEELHOUSE TO INNER PANEL REINFORCING ANGLE  
 WHEELHOUSE EXTERIOR TRIM ANGLE 20" RADIUS  
 WHEELHOUSE EXTERIOR TRIM ANGLE 22 1/4" RADIUS  
 WHEELHOUSE EXTERIOR TRIM ANGLE 20" RADIUS  
 WHEELHOUSE EXTERIOR TRIM ANGLE 22 1/4" RADIUS  
 WHEELHOUSE TO SIDEPOST GUSSET

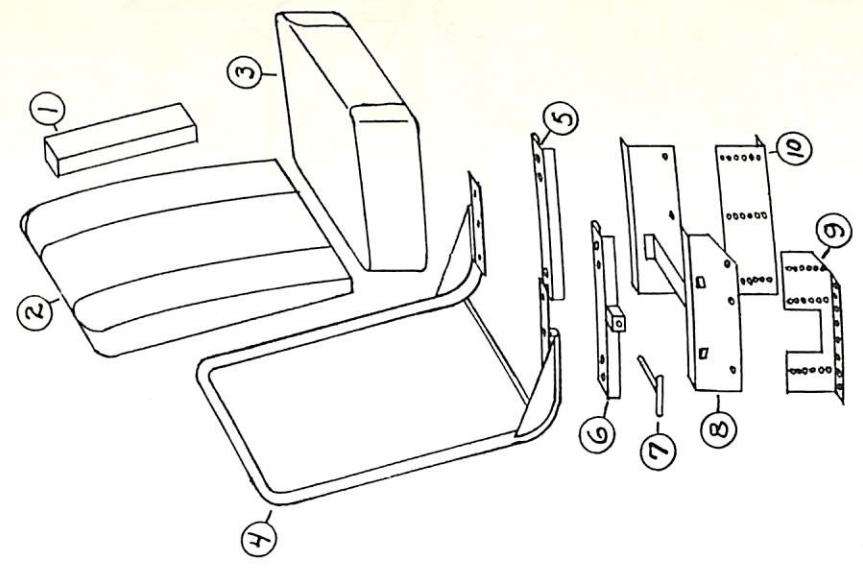
ALL  
 ALL  
 DS-C-CX  
 DS-C-CX  
 DM  
 DM  
 ALL

WAYNE  
 PARTS CATALOGUE  
 1952



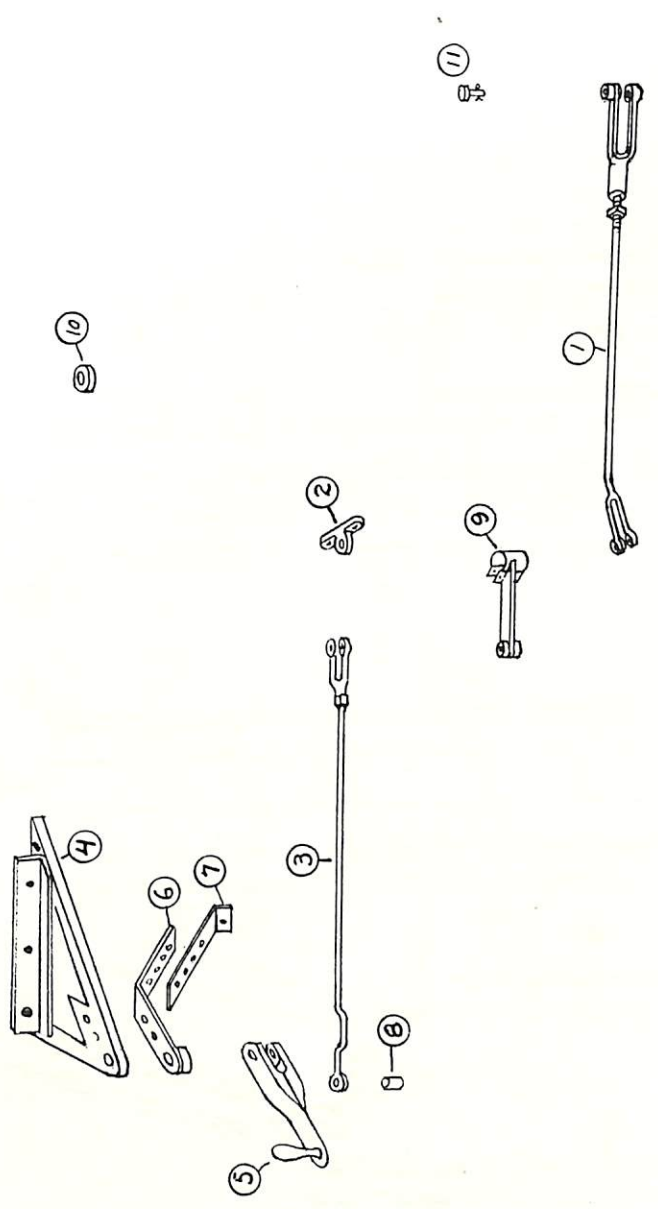
1	H35050A	ENTRANCE DOOR	PANEL ANGLE TOP DROP STEP	ALL
2	H35051A	ENTRANCE DOOR	PANEL ANGLE TOP DROP STEP	ALL
3	H35052A	ENTRANCE DOOR	PANEL SQUARE TOP DROP STEP	ALL
4	H35053A	ENTRANCE DOOR	PANEL SQUARE TOP DROP STEP	ALL
5	H35087	ENTRANCE DOOR	BOTTOM SEAL RUBBER	ALL
6	H35086	ENTRANCE DOOR	BOTTOM SEAL RUBBER	ALL
7	H35308	ENTRANCE DOOR	HINGE BEARING SPACER-FRONT	ALL
8	H36660	ENTRANCE DOOR	HINGE WASHER PLATE	ALL
9	H5931-70 3/8"	ENTRANCE DOOR	SEAL RUBBER DROP STEP	ALL
10	H5932-71 3/8"	ENTRANCE DOOR	SEAL RUBBER DROP STEP	ALL
11	H5932-75 3/8"	ENTRANCE DOOR	NOSE RUBBER DROP STEP	ALL
12	H5933-69 3/8"	ENTRANCE DOOR	NOSE RUBBER DROP STEP	ALL
13	H5933-73 3/8"	ENTRANCE DOOR	SEAL RETAINER DROP STEP	ALL
14	H35165-48 3/4"	ENTRANCE DOOR	SEAL RETAINER DROP STEP	ALL
15	H35165-53"	ENTRANCE DOOR	SEAL RETAINER DROP STEP	ALL
16	H35256-50"	ENTRANCE DOOR	OPENING SEAL RETAINER DROP STEP	ALL
17	H35256-54 1/4"	ENTRANCE DOOR	OPENING SEAL RETAINER DROP STEP	ALL
18	H35080	ENTRANCE DOOR	GLASS FRONT UPPER	ALL
19	H35081	ENTRANCE DOOR	GLASS REAR UPPER	ALL
20	H35082	ENTRANCE DOOR	GLASS LOWER FRONT UPPER	ALL
21	H35083	ENTRANCE DOOR	GLASS SET RUBBER REAR UPPER	ALL
22	H35084	ENTRANCE DOOR	GLASS SET RUBBER LOWER	C-CX
23	H35085	ENTRANCE DOOR	GLASS SET RUBBER LOWER	C-CX
24	H35165-26 3/4"	ENTRANCE DOOR	BUMPER RUBBER	ALL
25	H35256-27"	ENTRANCE DOOR	BUMPER RUBBER	ALL
26	CROSS SECTION H35256	# 13		DS-DM
27	CROSS SECTION H5931	# 8		C-CX
28	CROSS SECTION H5932	# 9		ALL
29	CROSS SECTION H5933	# 10		C-CX
30	CROSS SECTION H35087	# 3		DS-DM
31	H36671	BRACKET REAR OF REGULAR STEP		ALL
32	H36735	BRACKET REAR OF DROP STEP		ALL
33	H36760	BRACKET REAR OF DROP STEP		ALL
34	H26833	RUBBER WASHER		ALL
35	H26839	RUBBER WASHER - BALL		ALL
36	H26747	HINGE BEARING - SOLID		ALL
37	H26829	HINGE BEARING - SOLID		ALL

WAYNE  
 PARTS CATALOGUE  
 1952



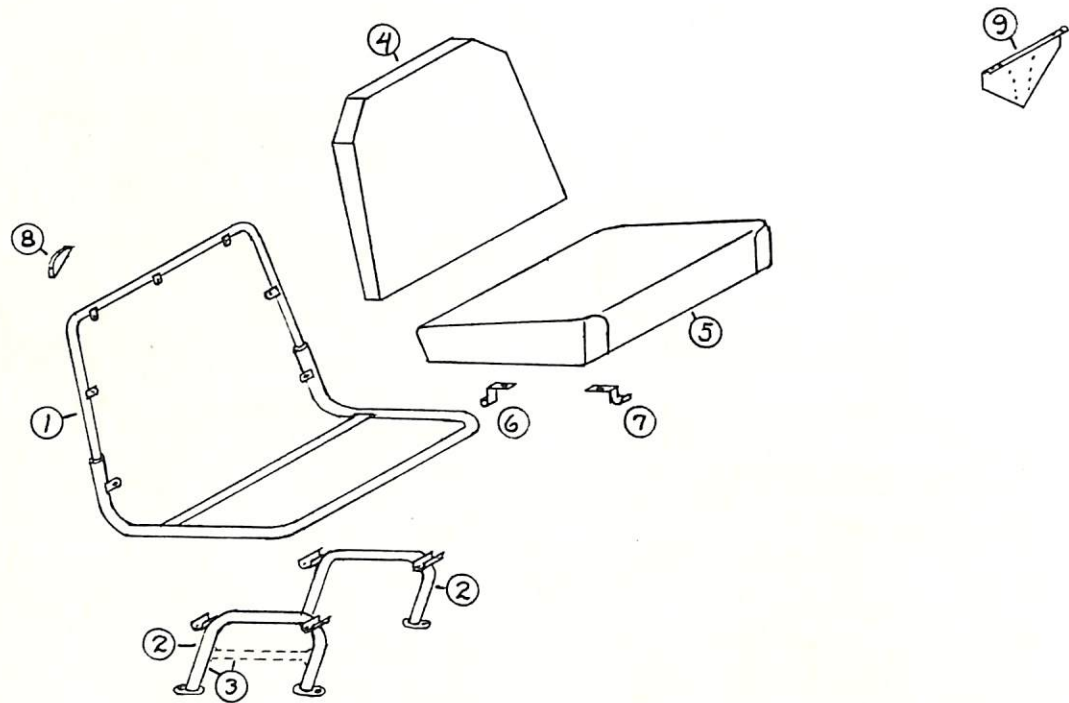
ALL  
DS  
DM  
C-CX  
DS  
DM  
C-CX  
ALL  
ALL  
ALL  
ALL  
ALL  
ALL

- |    |          |              |                       |
|----|----------|--------------|-----------------------|
| 1  | J 11979  | DRIVERS SEAT | BACK STRAINER PAD     |
| 2  | J 35692A | DRIVERS SEAT | BACK PAD ASSY.        |
| 3  | J 37091A | DRIVERS SEAT | BACK PAD ASSY.        |
| 4  | J 36900A | DRIVERS SEAT | CUSHION ASSY.         |
| 5  | J 35693A | DRIVERS SEAT | CUSHION ASSY.         |
| 6  | J 37092A | DRIVERS SEAT | FRAME                 |
| 7  | J 36902A | DRIVERS SEAT | RUN CHANNEL ASSY. RT. |
| 8  | J 35464A | DRIVERS SEAT | TEE BOOT              |
| 9  | J 8453A  | DRIVERS SEAT | ADJUSTABLE RISER LT.  |
| 10 | J 4839   | DRIVERS SEAT | ADJUSTABLE RISER RT.  |
|    | J 99625  | DRIVERS SEAT |                       |
|    | J 99666  | DRIVERS SEAT |                       |



ALL  
ALL  
DM-C  
DS  
ALL  
DS  
DM-C  
ALL  
ALL  
ALL  
ALL  
C  
DS-DM  
ALL

- |    |            |                  |                                  |
|----|------------|------------------|----------------------------------|
| 1  | H 2354A    | ENTRANCE DOOR    | DRAG ROD ASSY.                   |
| 2  | H 4366     | ENTRANCE DOOR    | CONTROL BRACKET                  |
| 3  | H 25896A   | ENTRANCE DOOR    | MANUAL CONTROL ROD - CHROME      |
| 4  | H 32553A   | ENTRANCE DOOR    | MANUAL CONTROL ROD - PAINTED     |
| 5  | H 36922A-1 | ENTRANCE DOOR    | MANUAL CONTROL BRACKET - PAINTED |
| 6  | H 26838A-1 | ENTRANCE DOOR    | MANUAL CONTROL LEVER - PAINTED   |
| 7  | H 27099A   | ENTRANCE DOOR    | MANUAL CONTROL LEVER - CHROME    |
| 8  | H 26672    | ENTRANCE DOOR    | MANUAL CONTROL UPPER BRACE       |
| 9  | H 26672    | ENTRANCE DOOR    | MANUAL CONTROL LOWER BRACE       |
| 10 | H 26740A   | ENTRANCE DOOR    | LEVER ASSY.                      |
| 11 | H 26829    | ENTRANCE DOOR    | HINGE BEARING - BALL             |
|    | H 4565     | ENTRANCE DOOR    | HINGE BEARING - SOLID            |
|    |            | YOKE PIN AND KEY |                                  |



1	J26505A-39"	SEAT FRAME ASSY.	K-D	ALL
2	J35595A	SEAT LEG ASSY. K-D		DS-DM
3	J35709A	SEAT LEG ASSY. K-D	(WITH BAR)	C-CX
4	J36892A-39"	SEAT BACK PAD ASSY.		DS
4	J37078A-39"	SEAT BACK PAD ASSY.		DM
4	J36890A-39"	SEAT BACK PAD ASSY.		C-CX
5	J36884A-39"	SEAT CUSHION ASSY.		DS
5	J37076A-39"	SEAT CUSHION ASSY.		DM
5	J36882A-39"	SEAT CUSHION ASSY.		C-CX
6	J9475	SEAT CUSHION CLIP-REAR		ALL
7	J9985	SEAT CUSHION CLIP-FRONT		ALL
8	J35902	SEAT BACK HAND HOLE FILLER		ALL
9	J26547	SEAT BACK SPLICE FOR 90" SEAT		ALL

SHOULD YOU WANT CUSHION COVER ONLY, BACK COVER ONLY, PADDING ONLY, OR SPRING ONLY  
SELECT THE PART NUMBER ABOVE AND SPECIFY PART WANTED - FOR EXAMPLE

1-J36892A-39" SEAT BACK PAD COVER ONLY

NOTE:- SEAT FRAMES AND CUSHION ARE AVAILABLE IN 27"-30"-33"-36"-39" AND 45" WIDTHS.  
SEAT BACK PADS ARE AVAILABLE IN 27"-30"-33"-36"-39"-45" AND 90" WIDTHS.

WHEN ORDERING SPECIFY - COLOR OF UPHOLSTERING MATERIAL.

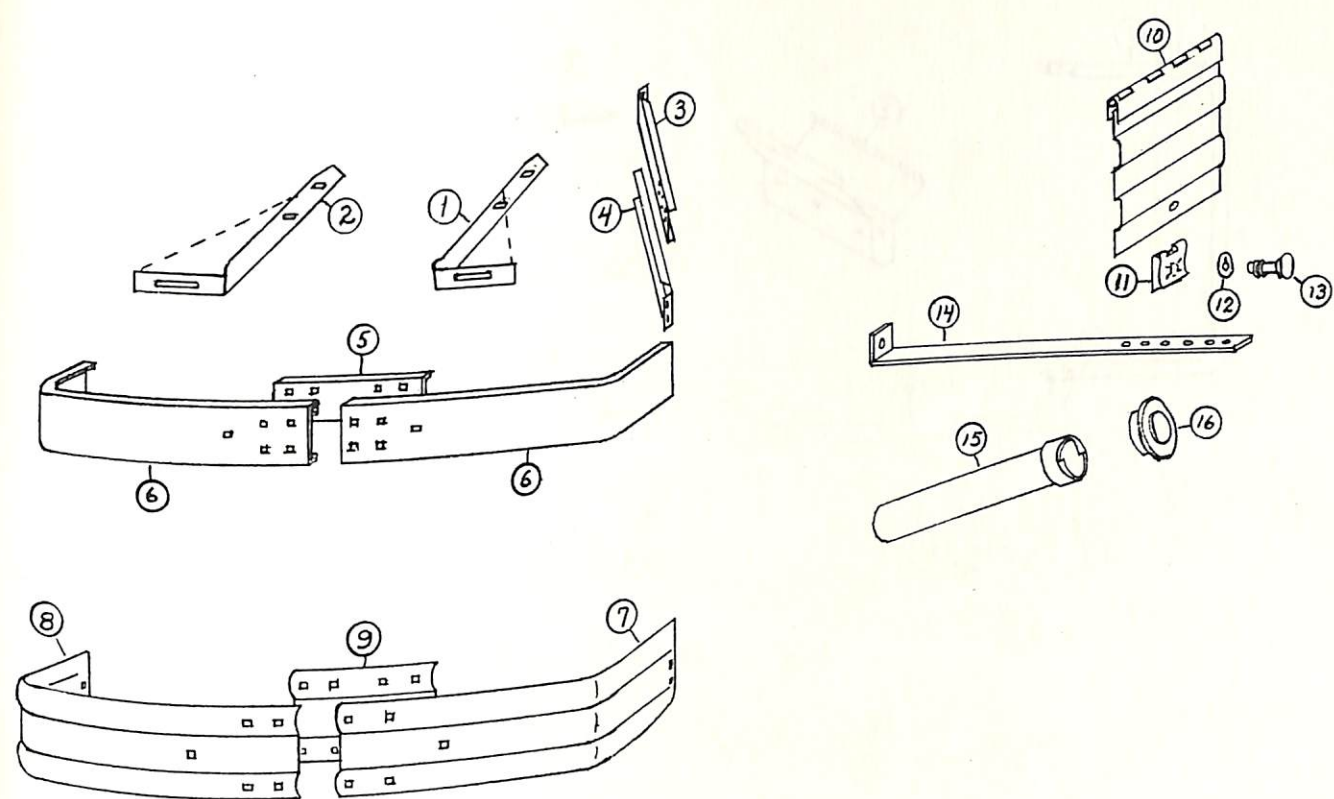
" " " - TYPE, 27 OZ., 30 OZ., 45 OZ., 52 OZ. OR GENUINE LEATHER  
(BROWN) (RED) (RED) (GREEN) (RED)

" " " - COMFORT TYPE SEWING ON BACK

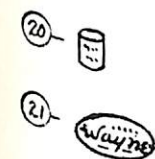
" " " - TULATEX PADDING  
" " " - SOLID BACK ETC.

ALL REPLACEMENT SEAT PARTS ARE FURNISHED  
IN K-D TYPE (KNOCKED DOWN)

WAYNE  
PARTS CATALOGUE  
1952



## 19- SCHOOL BUS

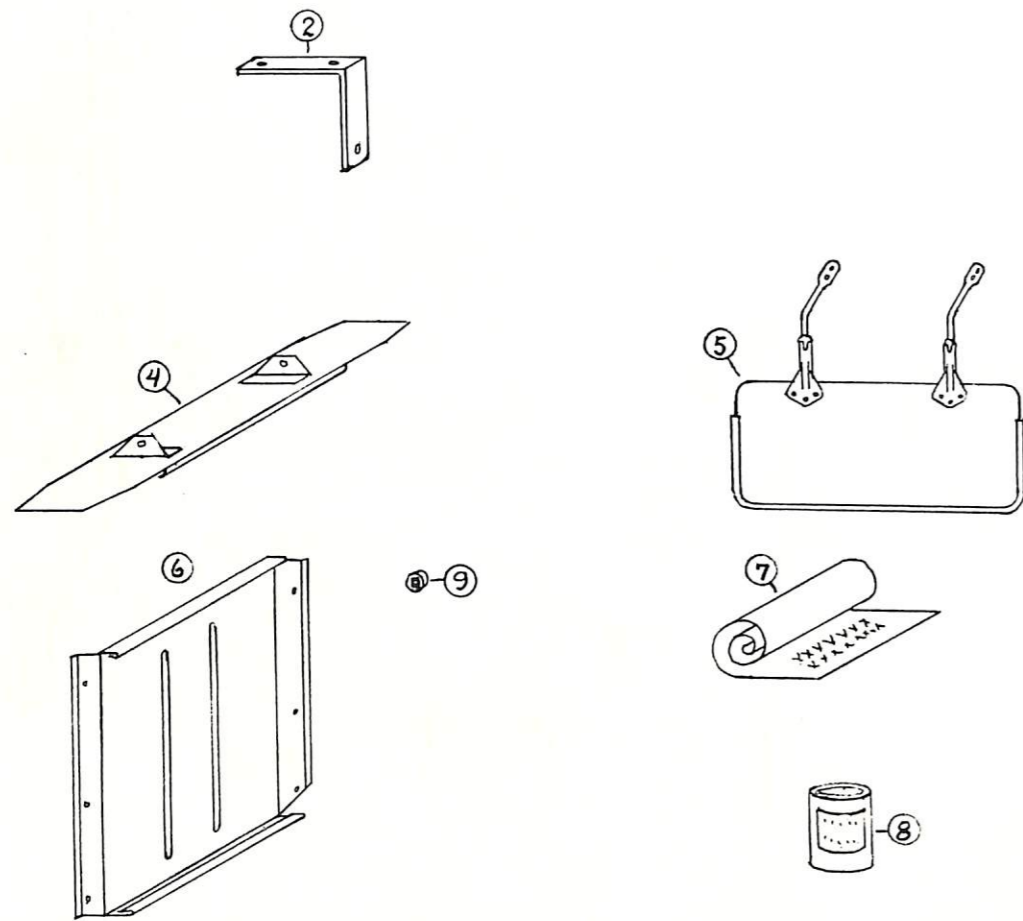


1	K36711	BUMPER HANGER RT. (WITH WEB)	DS-DM
2	K36712	BUMPER HANGER LT. (WITH WEB)	DS-DM
3	K4918	BUMPER HANGER RT.	C-CX
4	K4919	BUMPER HANGER LT.	ALL
5	K35327	BUMPER TO CHASSIS BRACE RT.	DS-DM
6	K35328	BUMPER TO CHASSIS BRACE LT.	DS-DM
7	K36667	BUMPER SPLICE	C-CX
8	K36666	BUMPER END	C-CX
9	K35441	BUMPER END RT.	ALL
10	K35580	BUMPER END LT.	ALL
11	K35442	BUMPER SPLICE	ALL
12	K35490A	GAS PORT DOOR	ALL
13	18927	"U" TYPE SPEED NUT	ALL
14	18987	SOUTHCO RETAINING WASHER	ALL
15	18972	SOUTHCO WING SCREW	ALL
16	K35330	GAS TANK STRAP	(EXPORT ONLY)
	K35577A	GAS TANK SPOUT	(EXPORT ONLY)
	K8748	GAS TANK CAP	(EXPORT ONLY)
19	K8824	DECALCAMANIA 8" X 34 3/4" - 1" STROKE	ALL
20	K32311	DECALCAMANIA CEMENT	ALL
21	K35686	NAME PLATE	ALL

WAYNE  
PARTS CATALOGUE  
1952







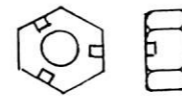
- |   |          |                               |     |
|---|----------|-------------------------------|-----|
| 2 | M35311   | MIRROR BRACKET                | ALL |
| 4 | M36516A  | MIRROR RETAINER               | ALL |
| 5 | M25902A  | DRIVERS VISOR                 | ALL |
| 6 | M27077   | MODESTY PANEL                 | ALL |
| 7 | M8803    | INDENTED INSULATION           | ALL |
| 8 | M11820   | INSULATION CEMENT             | ALL |
| 8 | M28002-1 | ALUMALASTIC                   | ALL |
| 9 | M10489   | RUBBER WASHER (MODESTY PANEL) | ALL |

WAYNE  
PARTS CATALOGUE  
1952



HEX.- NUT

- |       |          |
|-------|----------|
| 12285 | #8-32    |
| 12289 | #10-32   |
| 12293 | 1/4"-28  |
| 12297 | 5/16"-24 |
| 12301 | 3/8"-24  |
| 12310 | 1/2"-20  |



TRI-LOCK HEX NUT

- |       |         |
|-------|---------|
| 19079 | 1/4"-28 |
| 19081 | 3/8"-24 |



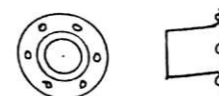
HEX. LOCK NUT

- |       |         |
|-------|---------|
| 18723 | 1/2"-20 |
|-------|---------|



SQUARE NUT

- |       |          |
|-------|----------|
| 12423 | 1/4"-28  |
| 12430 | 5/16"-24 |
| 12435 | 3/8"-16  |
| 12437 | 1/2"-13  |



TEE NUT

- |       |          |
|-------|----------|
| 12492 | 5/16"-24 |
|-------|----------|



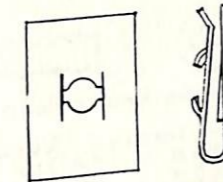
SPECIAL NUT

- |       |         |
|-------|---------|
| 19350 | 1/4"-28 |
|-------|---------|



RIVNUT

- |       |         |
|-------|---------|
| 18645 | 1/4"-28 |
|-------|---------|



"U" TYPE SPEED NUT

- |       |                |
|-------|----------------|
| 18907 | #10 - SMALL    |
| 18913 | #14A - SMALLER |
| 18927 | #7 - LARGE     |



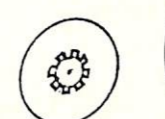
LOCK WASHER

- |       |       |
|-------|-------|
| 18095 | #8    |
| 18097 | #10   |
| 18099 | 1/4"  |
| 18103 | 5/16" |
| 18105 | 3/8"  |
| 18109 | 1/2"  |



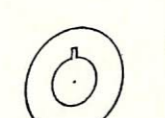
FLAT WASHER

- |       |                  |
|-------|------------------|
| 18299 | #10              |
| 18305 | 1/4"             |
| 18310 | 5/16"            |
| 18320 | 3/8" x 1/4" O.D. |
| 18316 | 3/8"             |
| 18322 | 1/2"             |



CONVEX WASHER

- |       |      |
|-------|------|
| 18274 | 1/4" |
|-------|------|



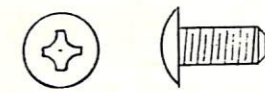
RETAINING WASHER

- |       |    |
|-------|----|
| 18987 | #7 |
|-------|----|



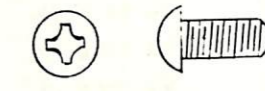
EXTERNAL TOOTH LOCK WASHER

- |       |      |
|-------|------|
| 18139 | 1/4" |
|-------|------|



PHILLIPS OVAL HEAD MACHINE SCREW

- |       |               |
|-------|---------------|
| 15104 | #10-32 x 1/2" |
|-------|---------------|



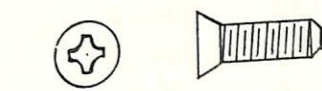
PHILLIPS ROUND HEAD MACHINE SCREW

- |       |                   |
|-------|-------------------|
| 15664 | 1/4"-28 x 3/8"    |
| 19414 | 1/4"-20 x 5/8"    |
| 15672 | 1/4"-28 x 5/8"    |
| 15676 | 1/4"-28 x 3/4"    |
| 15684 | 1/4"-28 x 1"      |
| 15688 | 1/4"-28 x 1 1/4"  |
| 15692 | 1/4"-28 x 1 1/2"  |
| 15704 | 1/4"-28 x 2"      |
| 15266 | 5/16"-24 x 3/4"   |
| 15272 | 5/16"-24 x 1"     |
| 15280 | 5/16"-24 x 1 1/4" |
| 15651 | #8-32 x 3/8"      |
| 15656 | #8-32 x 1/2"      |



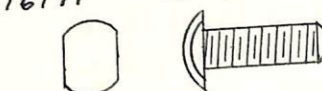
PHILLIPS FLAT HEAD MACHINE SCREW

- |       |                 |
|-------|-----------------|
| 16356 | #10-32 x 5/8"   |
| 16372 | #10-32 x 1 1/2" |



PHILLIPS FLAT HEAD MACHINE SCREW

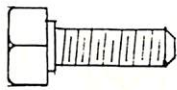
- |       |               |
|-------|---------------|
| 19321 | 5/16"-24 x 1" |
| 16191 | #12-24 x 1/2" |



SPECIAL OVAL HEAD MACHINE SCREW

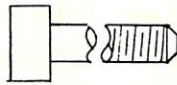
- |       |                  |
|-------|------------------|
| 27096 | 1/2"-20 x 2 1/8" |
|-------|------------------|

WAYNE  
PARTS CATALOGUE  
1952



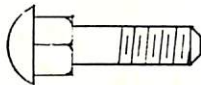
HEX. HEAD CAP SCREW

- 12746 1/4"-28 X 5/8"
- 12762 1/4"-28 X 1"
- 12835 5/16"-24 X 3/4"
- 12842 5/16"-24 X 1"
- 12846 5/16"-24 X 1 1/4"
- 12850 5/16"-24 X 1 1/2"
- 12874 5/16"-24 X 3"
- 12918 3/8"-24 X 1 1/4"
- 12926 3/8"-24 X 1 3/4"
- 12941 3/8"-24 X 2 3/4"
- 13069 1/2"-20 X 1 3/4"



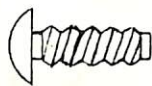
SQUARE HEAD MACHINE BOLT

- 12075 3/8"-16 X 11"



SQUARE NECK CARRIAGE BOLT

- 18631 1/2"-13 X 1 1/2"



PHILLIPS OVAL HEAD SELF TAPPING SCREW

- 17371 #10 X 1/4"
- 17383 .234" X 1/2"
- 17387 .234" X 1"
- 17398 #14 X 1/2"



PHILLIPS OVAL HEAD SELF TAPPING SCREW

- 18831 #6-32 X 3/8"
- 18836 #8 X 3/8"
- 18838 #8 X 3/4"
- 18843 #10 X 1/2"
- 18850 #14 X 3/4"

WOOD SCREW

- 17892 #14 X 1 1/4"



PHILLIPS ROUND HEAD SELF TAPPING SCREW

- 16868 #6-32 X 3/8"
- 19257 #6-32 X 5/8"
- 16871 #6-32 X 3/4"



PHILLIPS FLAT HEAD SELF TAPPING SCREW

- 16960 #6-32 X 5/8"
- 16990 1/4"-20 X 3/4"



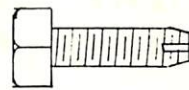
PHILLIPS FLAT HEAD SELF TAPPING SCREW

- 17499 #6-32 X 3/8"
- 17511 #8 X 3/4"



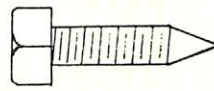
PHILLIPS OVAL HEAD SELF TAPPING SCREW

- 17602 #8 X 5/8"
- 17610 #10 X 5/8"



HEX. HEAD SELF TAPPING SCREW

- 17049 1/4"-20 X 3/4"
- 17053 1/4"-20 X 1"



HEX. HEAD SELF TAPPING SCREW

- 17650 .234" X 1 5/16"



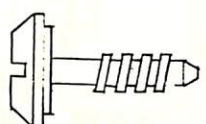
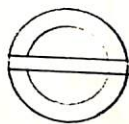
PHILLIPS OVAL HEAD WOOD SCREW

- 17870 #12 X 5/8"
- 17873 #12 X 7/8"



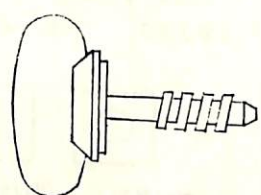
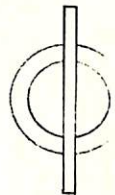
SLOT FLAT HEAD WOOD SCREW

- 17825 #12 X 3/4"



SOUTHCO SCREW AND WASHER

- 18957 #7



SOUTHCO SCREW AND WASHER

- 18972 #7



PLUG BUTTON

- 18686 1/4"
- 18691 1/32"

WAYNE  
PARTS CATALOGUE  
1952